





TABLE OF CONTENTS

About ANDlight	6
Collection Overview	8
PEBBLE	13
VALE	37
PIVOT	57
BUTTON	63
ORBIT	81
PIPELINE	97
SLAB	129
SPOTLIGHT VOLUMES	147
VINE	181
Technical Information	199



SPOTLIGHT VOLUMES
TABLE, PENDANT
DESIGNER LUKAS PEET

VINE
PENDANT, CEILING/WALL
DESIGNER CAINE HEINTZMAN

ORBIT
TABLE, PENDANT
DESIGNER LUKAS PEET

ANDlight is a decorative luminaire design studio and manufacturer based in Vancouver, Canada where original collections are conceptualized, built and assembled in-house.

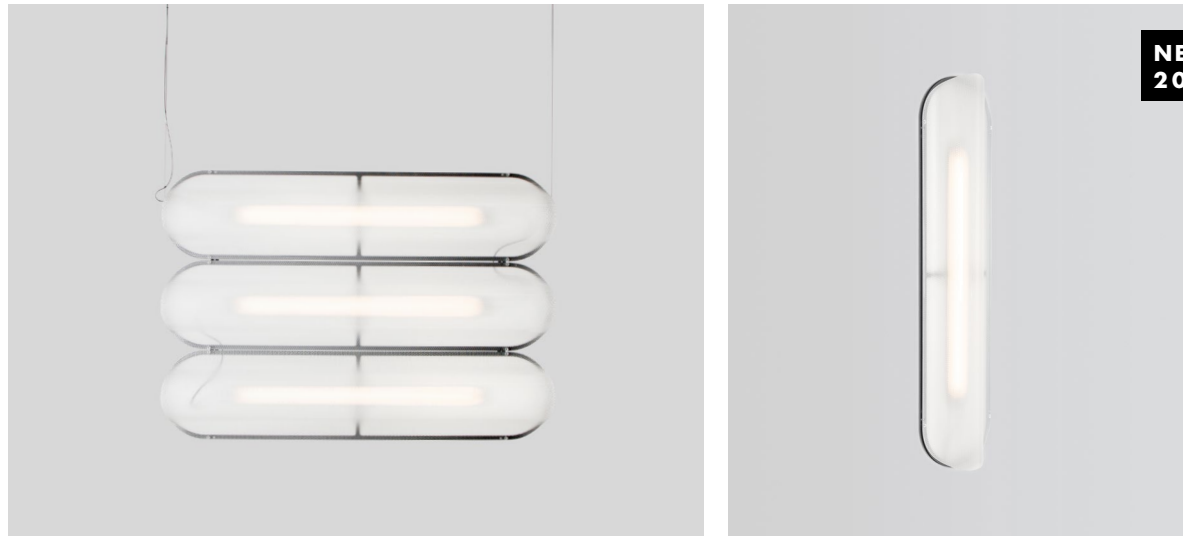
ANDlight investigates new design possibilities using innovative production methods while integrating the most current technologies in lighting. The result of that exploration puts forward honest products that transcend time and place. In pursuit of the visually poetic, we're inspired by the unexpected and the everyday; musing over the capacity of light to shape and animate space.



COLLECTION OVERVIEW

The inherent versatility of ANDlight's designs allows for surprising yet refined variations in form, finish and material; fulfilling a wide range of applications.

VALE optimizes functionality through its multidirectional luminescence while diffusing soft ambient light.



PIPELINE is modular and scalable as its kit of parts enable it to respond to the contours of any given space.



SPOTLIGHT is based on four unique shade profiles and allows for control over down and uplight.



SLAB offers soundproofing properties to reduce ambient noise and a distinctive visually tactile experience.



VINE combines exaggerated form with repetition to create a scalable fixture.



PIVOT is playful and interactive as its balancing shade allows for easy adjustments.



PEBBLE celebrates the beautiful qualities of stones, allowing the individual to extract their own collection.



ORBIT illustrates a planetary manoeuvre with graphic lines defining space around a glowing sphere.



BUTTON boldly plays on the archetype, with a wide circular LED surface and rope threading.



NEW 2021

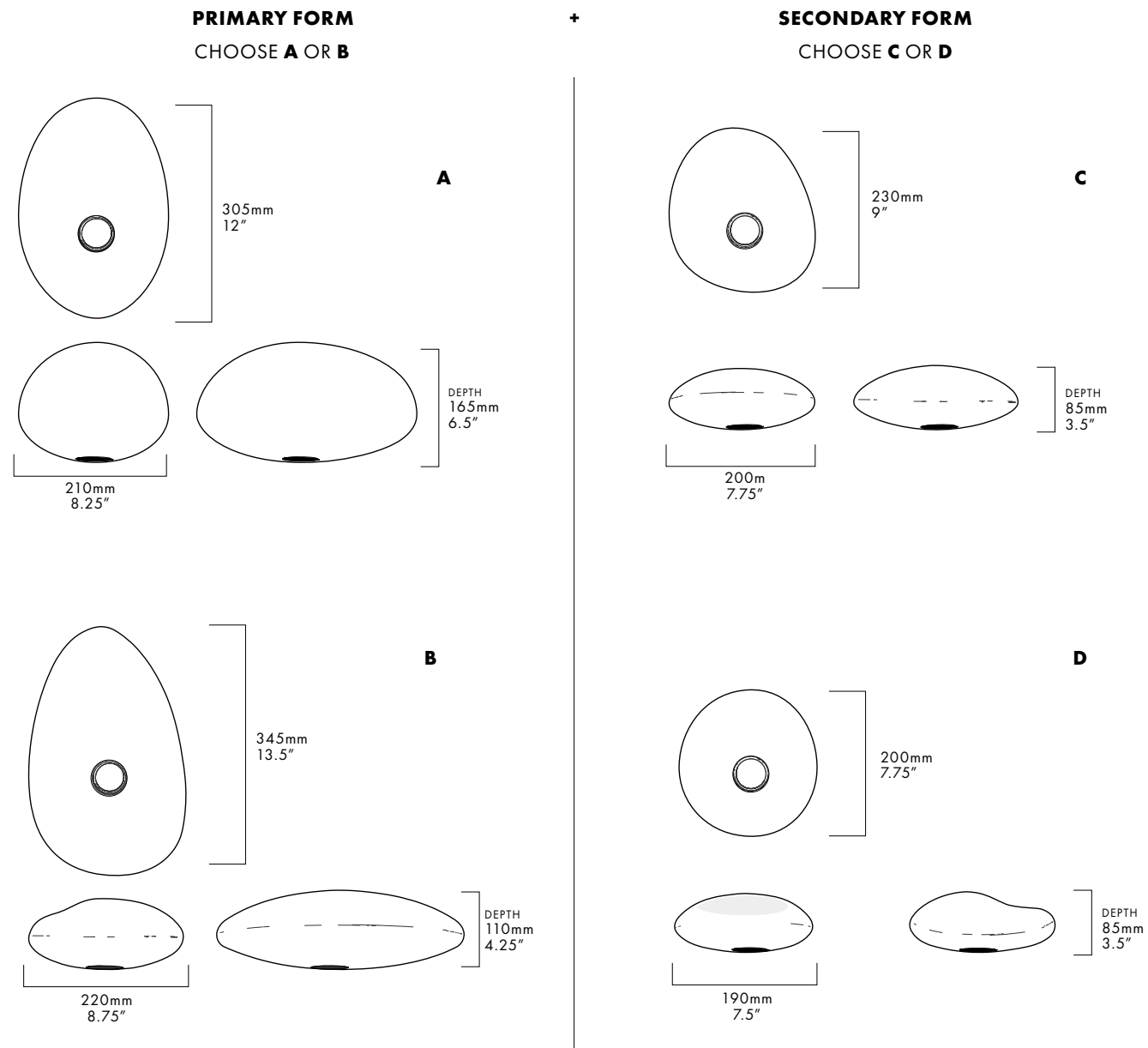
COLLECTION



DESIGNER
LUKAS PEET

Pebble

PEBBLE – PENDANT



FIXTURE TYPE

Pendant

MATERIALS

- Glass
- Aluminum

MANUFACTURED

Canada

DIMENSIONS

A: 305 x 210 x 165mm / 12" x 8.25" x 6.5"

B: 345 x 220 x 110mm / 13.5" x 8.75" x 4.25"

C: 230 x 200 x 85mm / 9" x 7.75" x 3.5"

D: 200 x 190 x 85mm / 7.75" x 7.5" x 3.5"

FINISHES



PEARL



CITRINE



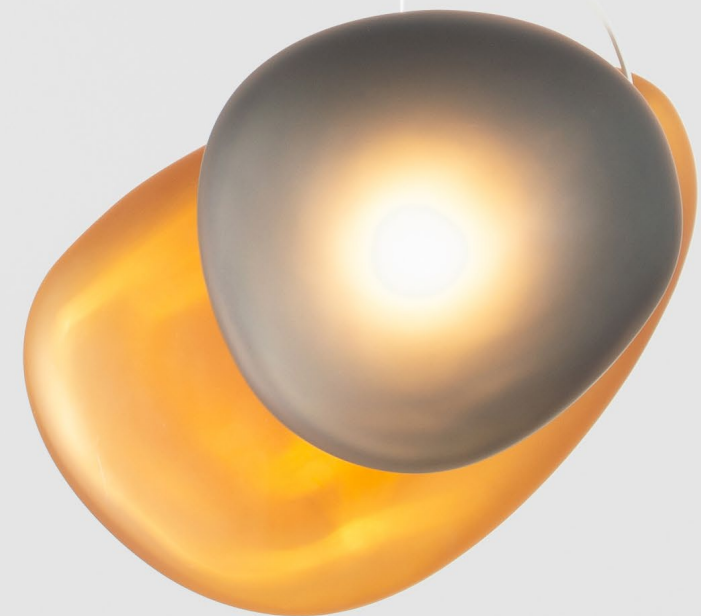
SLATE

ELECTRICAL

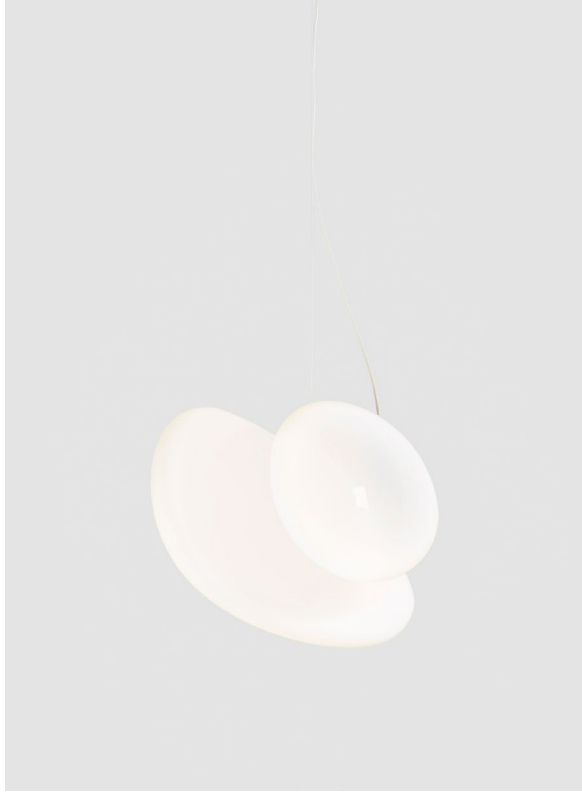
- 14W LED 300ma
- 2700K
- 90+ CRI
- Dimming: Triac or 0-10

Glass is hand blown, variations in form, colour and size may occur.

The Pebble series celebrates the inexplicable and beautiful qualities of stones. Enhancing their simple yet sculptural form through translucency, two glass blown shapes come together entering a dialogue. The result is a seemingly bespoke pendant fixture—endlessly evolving in shape as it appears from different angles. The pendant features a combination of a large and small glass blown form, each with four possibilities for finishes, allowing the individual to extract their personal collection.



PEBBLE – PENDANT
B/C, CITRINE/SLATE



PEBBLE - PENDANT
CLOCKWISE FROM TOP LEFT:
A/C, SLATE/SLATE
B/D, PEARL/PEARL
B/C, CITRINE/SLATE
A/D, SLATE/PEARL

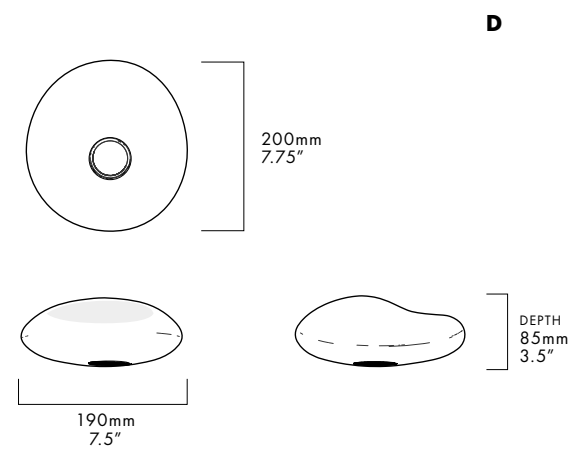
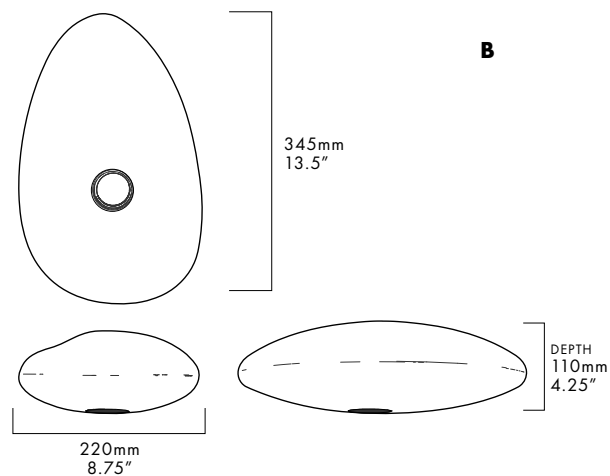
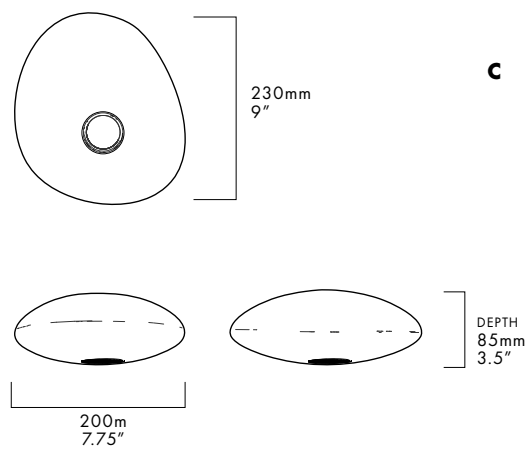
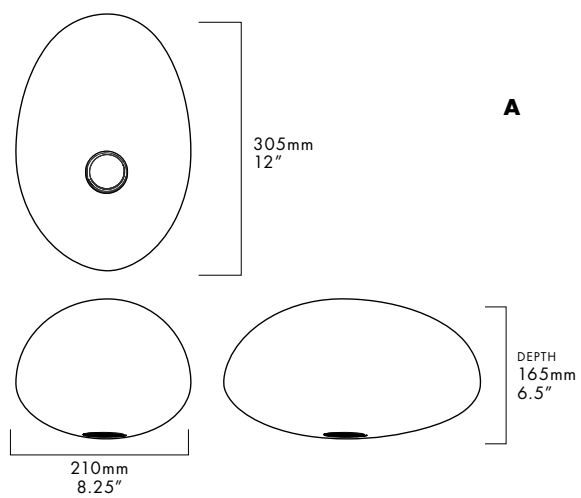


PEBBLE - PENDANT
A/C, PEARL/PEARL ;
A/D, SLATE/CITRINE



PEBBLE - PENDANT, A/D, CITRINE/SLATE; B/C, PEARL/CITRINE;
A/D, PEARL/SLATE; A/C, CITRINE/PEARL; B/C, SLATE/SLATE

PEBBLE - CEILING/WALL



FIXTURE TYPE

Ceiling/Wall

MATERIALS

- Glass
- Aluminum

MANUFACTURED

Canada

DIMENSIONS

A: 305 x 210 x 165mm /
12" x 8.25" x 6.5"

B: 345 x 220 x 110mm /
13.5" x 8.75" x 4.25"

C: 230 x 200 x 85mm /
9" x 7.75" x 3.5"

D: 200 x 190 x 85mm /
7.75" x 7.5" x 3.5"

FINISHES



PEARL



CITRINE



SLATE

ELECTRICAL

- **A/B** 9W LED
- **C/D** 4W LED
- 2700K
- 90+ CRI
- Dimming: Triac or 0-10

Glass is hand blown, variations in form, colour and size may occur.



PEBBLE - CEILING/WALL
C, SLATE



PEBBLE - CEILING/WALL
VARIOUS

“The inspiration for the series was the inherent beauty of river rocks—seemingly simple, the actual complexity of their form is the result of thousands of years of sculpting by nature. Glass blowing was an interesting process to utilize for this idea, as it enables for manipulation of the material. I wanted to allow these primordial shapes to glow—adding to their profoundness and giving them a soul.”

—LUKAS PEET



PEBBLE - CEILING/WALL
D, CITRINE



PEBBLE - CEILING/WALL
A, PEARL



PEBBLE - CEILING/WALL C, PEARL; B, SLATE; D, CITRINE; C, SLATE; B, PEARL

PEBBLE – CHANDELIER

The Pebble Chandelier is arranged in three configurations – *helix*; *double helix*; and *cluster* suspended from either a grey, white or black powder-coated canopy.

The following diagrams illustrate the three configurations in arrangements of 9 pendants.

TECHNICAL INFORMATION

- Input Voltage: 110–277V / 220–240V
- Integral LED source
- 9 x 14W LED 39V
- 47,000 hours life
- Delivered lumens: 9 x 1038 (*Pearl Glass)
- CRI 90+
- PS: TRIAC/0-10V 120V-277V 300mA
TRIAC/0-10V 220V-240V 350mA

CERTIFICATIONS



* APPLICATION: DRY INDOOR LOCATION ONLY

FIXTURE TYPE

Pendant Chandelier

PENDANT DIMENSIONS

- Ø 35cm / 13.8"
- Weight: 5kg / 11lbs

GLASS FINISHES



PEARL "PL" SLATE "SL" CITRINE "CI"

MATERIALS

- Glass
- Aluminum

CANOPY DIMENSIONS

- Ø 96cm / 37.5"
- Canopy weight: 22kg / 49lbs
- Hang weight: 67kg / 148lbs

CANOPY FINISHES



WHITE "WH" BLACK "BK" SATIN METAL "SM"

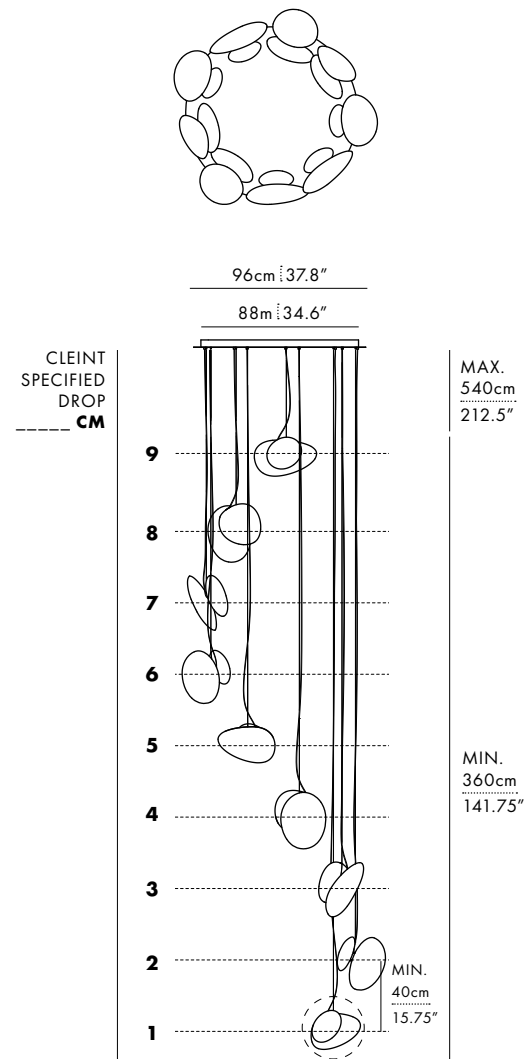


ASSORTED "AS"

Glass is hand blown, variations in form, colour and size may occur.

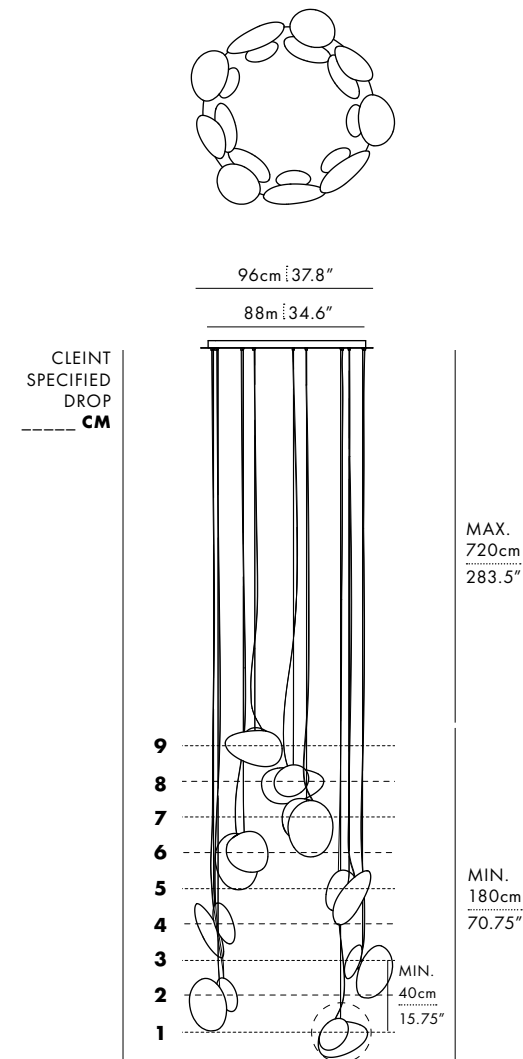
HELIX 9

Available in arrangements of 3, 4, 5, 6, 7, 8, 9, 12 pendants.



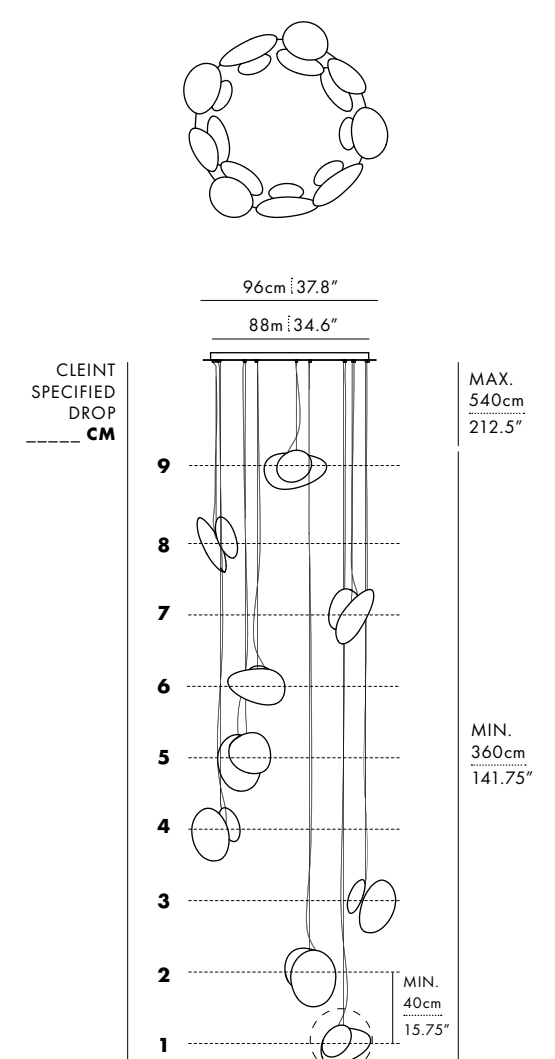
DOUBLE HELIX 9

Available in arrangements of 4, 5, 6, 7, 8, 9, 12 pendants.



CLUSTER 9

Available in arrangements of 4, 5, 6, 7, 8, 9, 12 pendants.



NEW!
2021



PEBBLE - CHANDELIER 6, HELIX, CITRINE



PEBBLE - CHANDELIER 8, CLUSTER, ASSORTED

NEW!
2021



PEBBLE - CHANDELIER 7, HELIX, PEARL



NEW!
2021

PEBBLE - CHANDELIER 9, CLUSTER, SLATE



PEBBLE - CHANDELIER 6, DOUBLE HELIX, PEARL

NEW!
2021



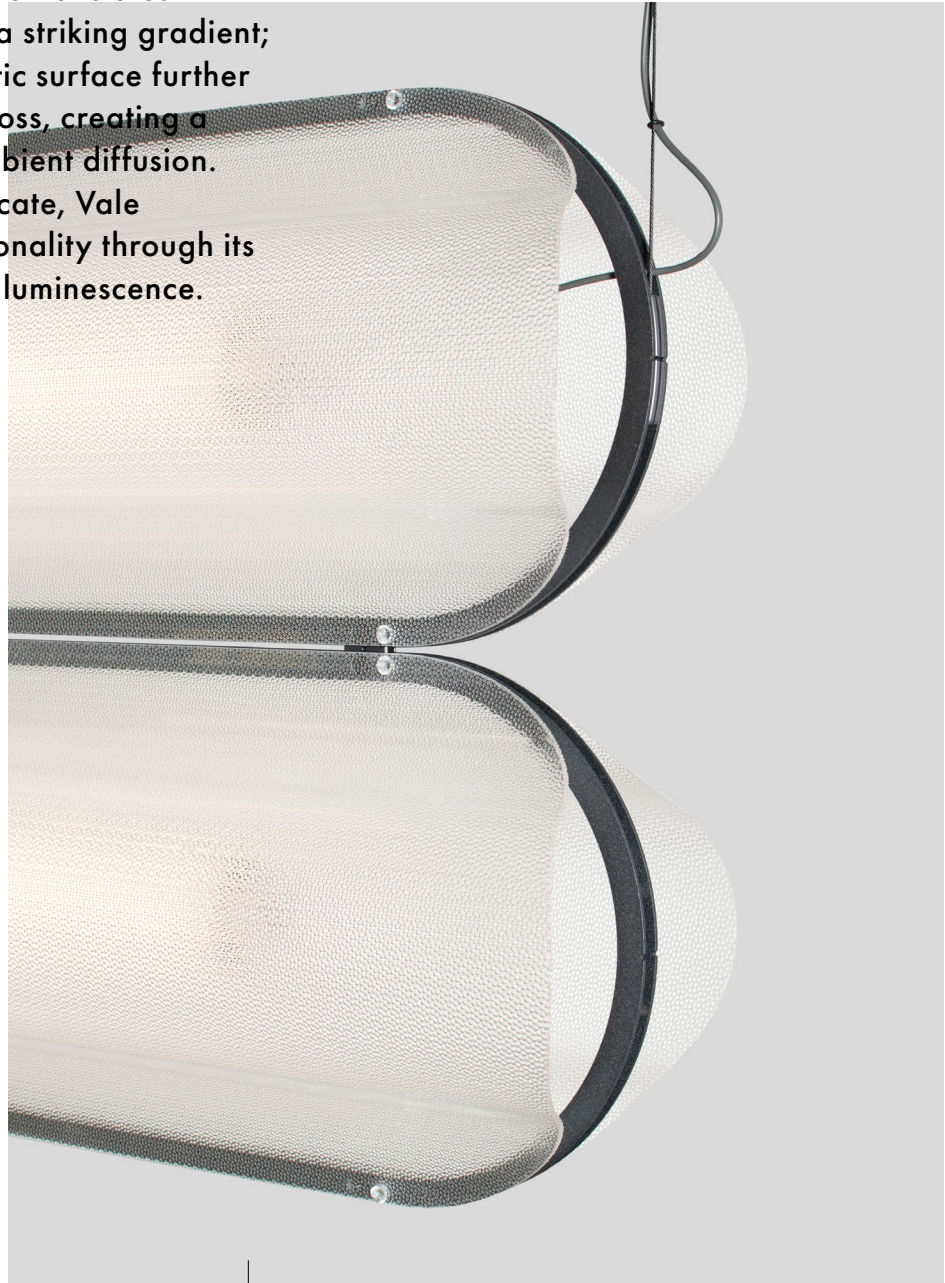
PEBBLE - CHANDELIER 3, HELIX, CITRINE



DESIGNER
CAINE
HEINTZMAN

Vale

The Vale series crystallises light in its transitional state. The undulating profile of the lens translates emitted light to a striking gradient; while its prismatic surface further carries light across, creating a soft hue and ambient diffusion. Technically intricate, Vale optimises functionality through its multidirectional luminescence.



VALE - PENDANT
ANTHRACITE



VALE - PENDANT
ANTHRACITE

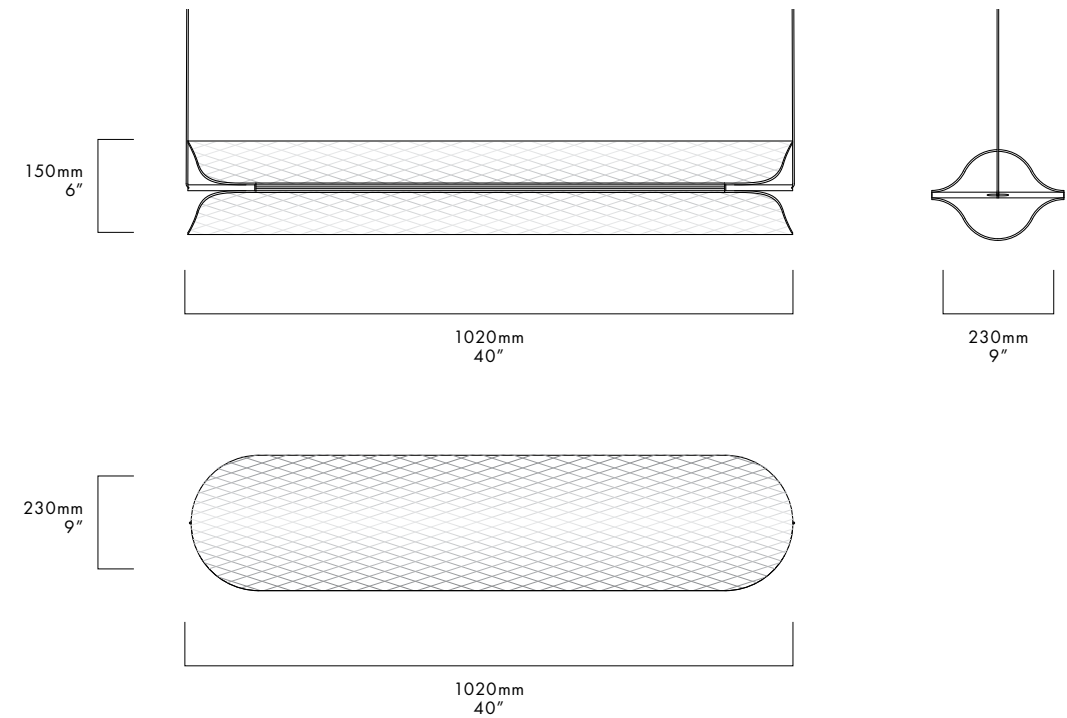


VALE - PENDANT, SILICA



VALE – PENDANT
RUST

VALE – PENDANT, SINGLE UNIT DIMENSIONS



FIXTURE TYPE

Pendant

MATERIALS

- Acrylic
- Aluminum

MANUFACTURED

Canada

DIMENSIONS

1020 x 150 x 230mm / 40" x 6" x 9"

CANOPY DIMENSIONS

150 x 50mm / 6" x 2"

FACTORY DROP LENGTH

2400mm / 96"

*Custom length available upon request

ELECTRICAL

- 20W LED
- 50,000 hour Lifetime
- 90+ CRI
- Input Voltage 100–240V + 277V
- Integral 24V DC power supply included
- Dimming Options: MLV, 0–10, Dali

COLOUR TEMPERATURE OPTIONS



CERTIFICATIONS



FRAME FINISHES



LENS FINISH

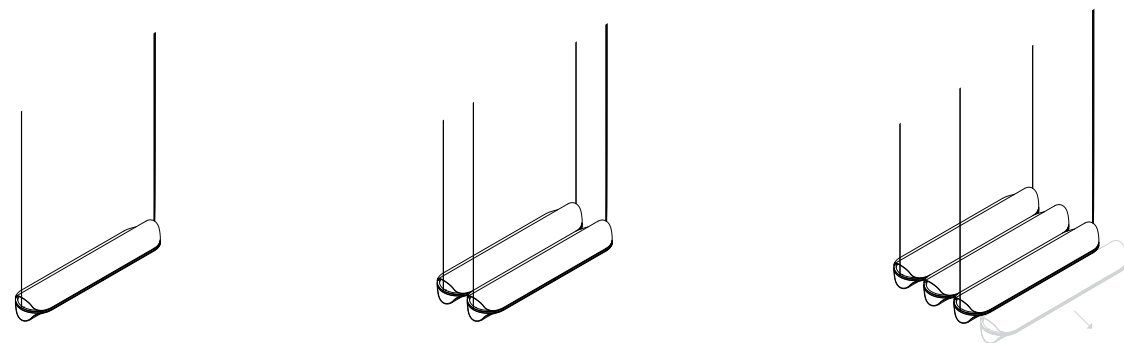


COMBINATIONS

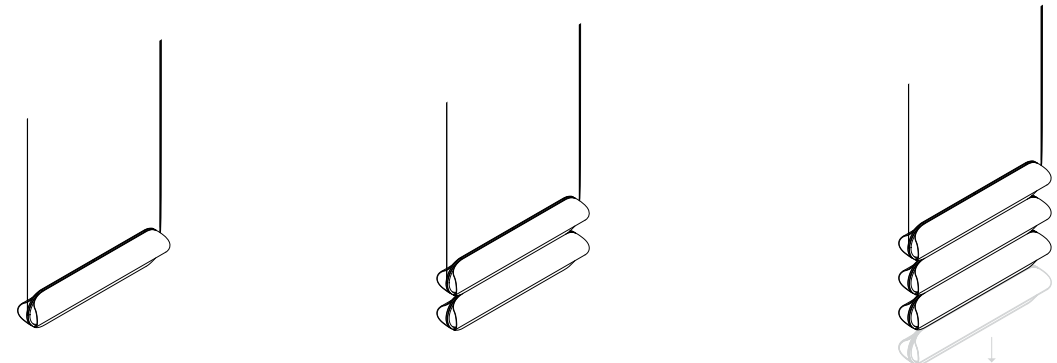
The Vale suspends horizontally or vertically, as a single or multiple pendant. Its edge-to-edge or end-to-end connection allows for a variety of arrangements.

The following diagrams illustrate several examples of Vale's flexibility.

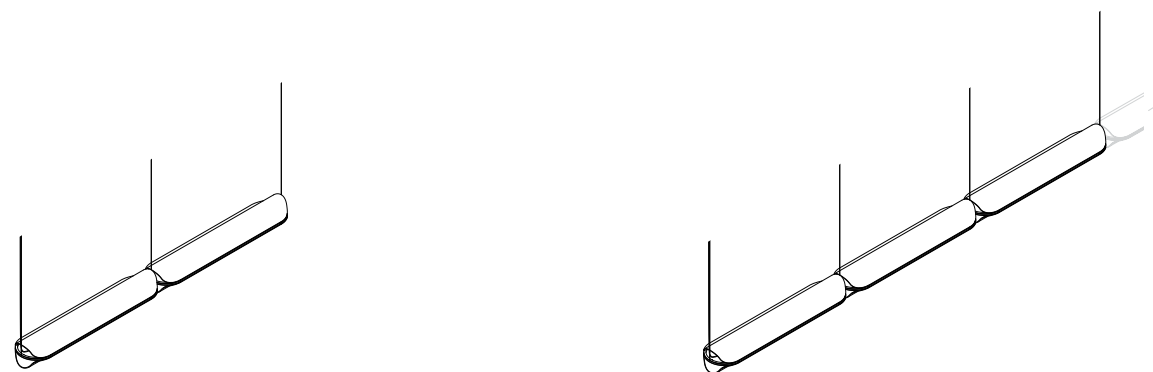
HORIZONTAL, EXAMPLE, EDGE-TO-EDGE



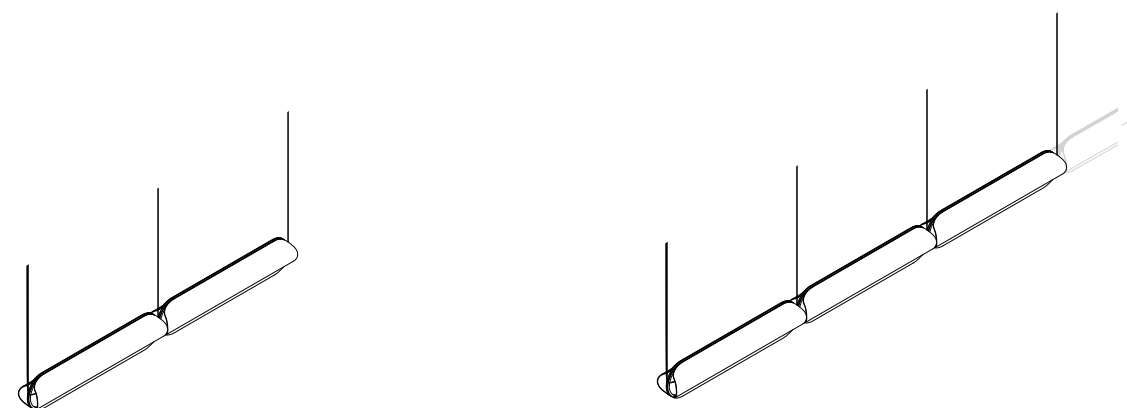
HORIZONTAL, EXAMPLE, EDGE-TO-EDGE



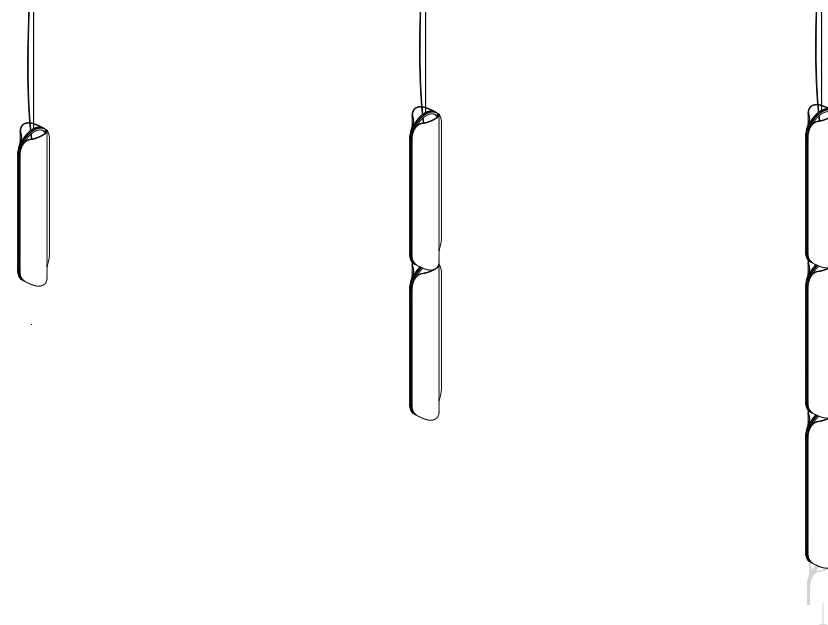
HORIZONTAL, EXAMPLE, END-TO-END



HORIZONTAL, EXAMPLE, END-TO-END



VERTICAL, EXAMPLE, END-TO-END

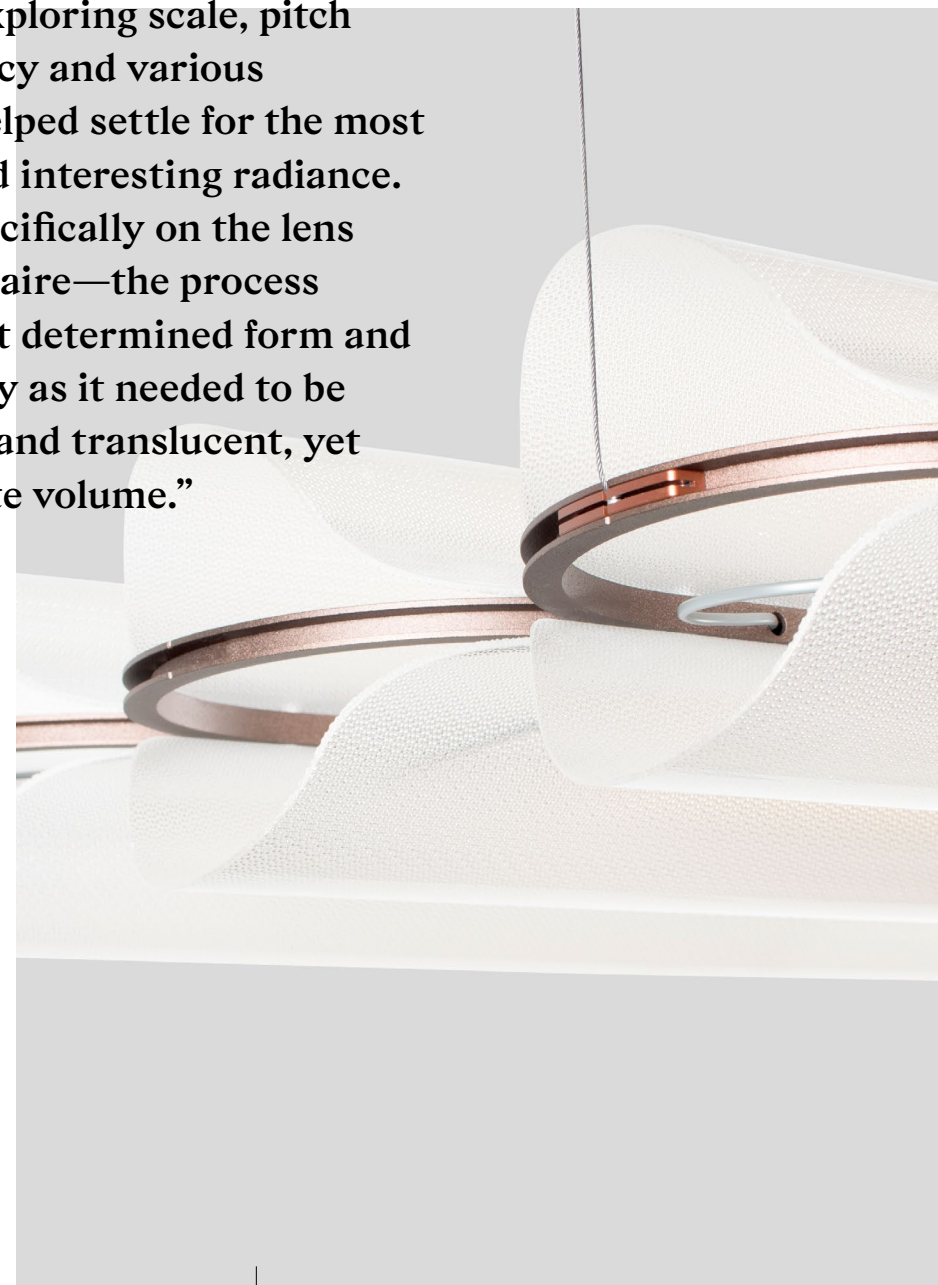




VALE – PENDANT
ANTHRACITE

“Dynamism, created by juxtaposing light with a wave-like contour fuelled the initial research. Exploring scale, pitch and frequency and various materials helped settle for the most effective and interesting radiance. Focused specifically on the lens of the luminaire—the process development determined form and functionality as it needed to be lightweight and translucent, yet able to create volume.”

—CAINE HEINTZMAN



VALE – PENDANT
RUST

NEW!
2021



VALE - CEILING/WALL
ANTHRACITE



VALE - CEILING/WALL
ANTHRACITE

NEW!
2021



VALE - CEILING/WALL
RUST



VALE - CEILING/WALL
RUST

NEW!
2021

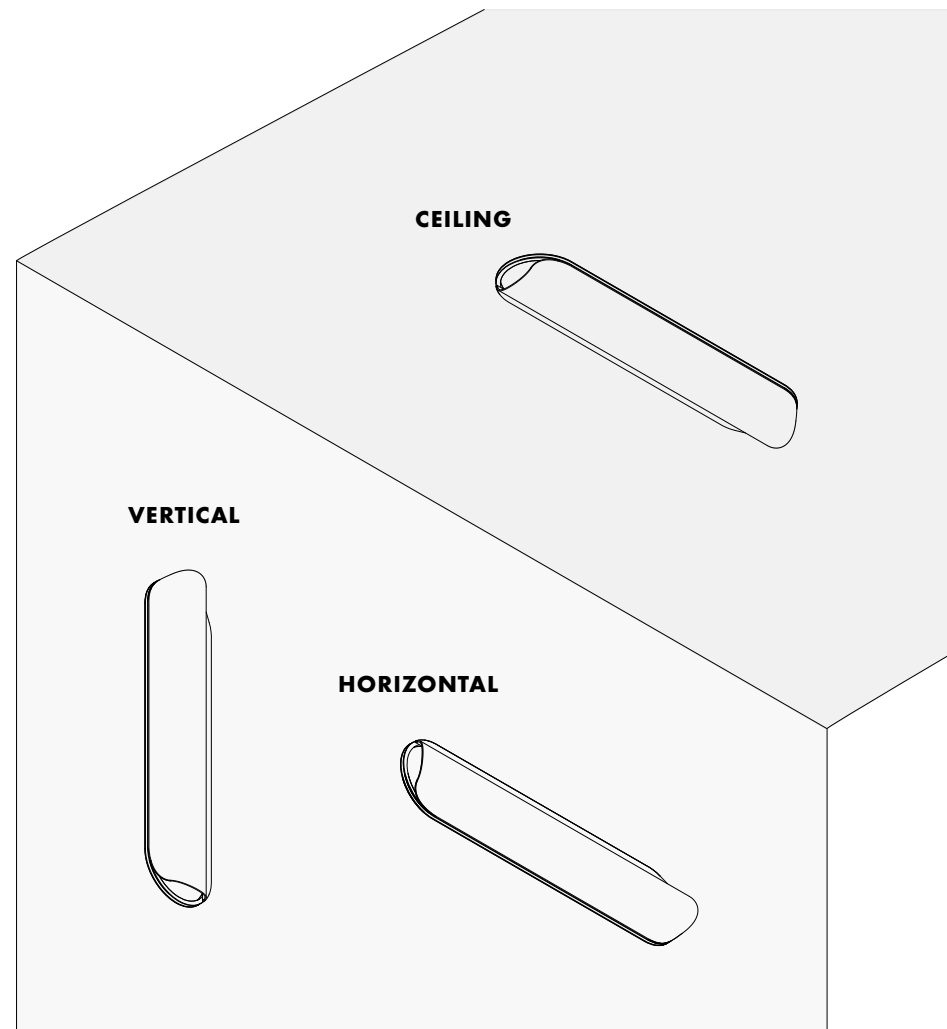


VALE - CEILING/WALL
SILICA

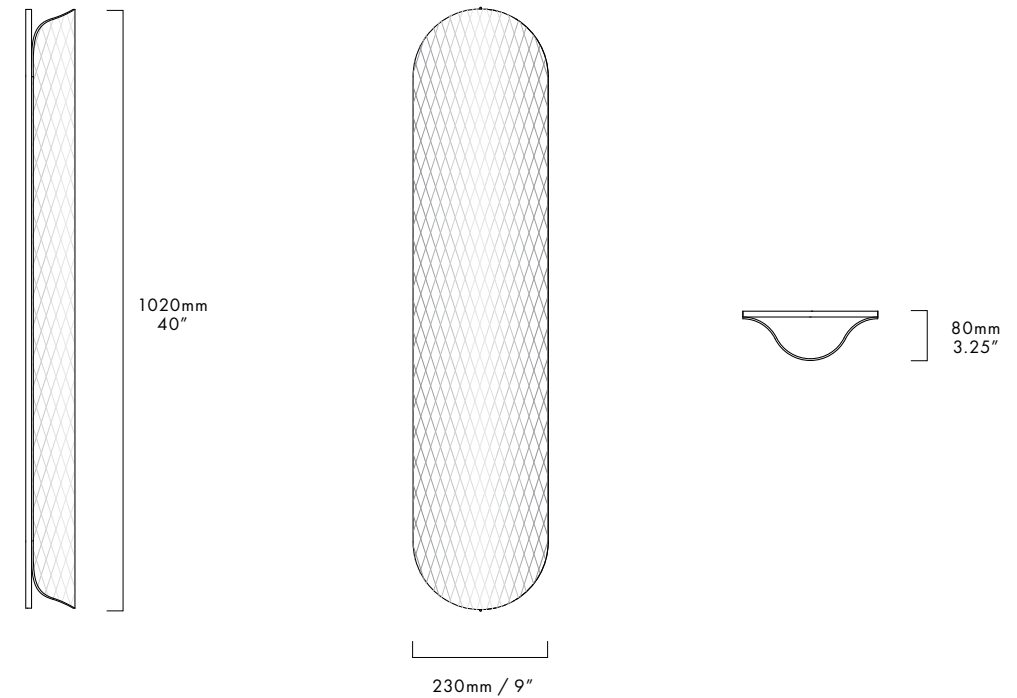


VALE - CEILING/WALL
ANTHRACITE

VALE – POSSIBLE ORIENTATIONS



VALE – CEILING/WALL, SINGLE UNIT DIMENSIONS



FIXTURE TYPE
Ceiling/Wall

MATERIALS
- Acrylic
- Aluminum

MANUFACTURED
Canada

DIMENSIONS
1020 x 80 x 230mm / 40" x 3.25" x 9"

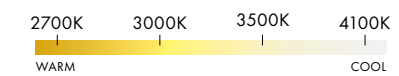
POWER OPTIONS NORTH AMERICA
- Coverplate
- Mounts to standard depth octagon box
- Remote power supply for multiple Vale arrangements

POWER OPTIONS WORLD MARKET
- Surface mounted
- Remote power supply only

ELECTRICAL

- 10W LED
- 47,000 hour Lifetime
- 90+ CRI
- Input Voltage 100–240V + 277V
- Integral 24V DC power supply included
- Dimming Options: Phase cut, 0–10, Dali

COLOUR TEMPERATURE OPTIONS



CERTIFICATIONS



FRAME FINISHES



LENS FINISH





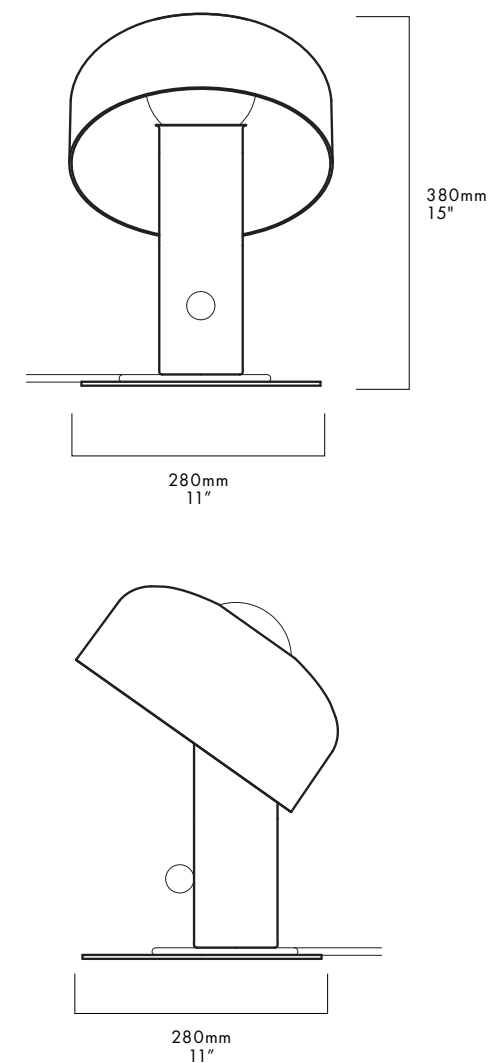
DESIGNER
LUKAS PEET

Pivot



PIVOT - TABLE
GRANITE

PIVOT - TABLE



FIXTURE TYPE
Table

MATERIALS

- Steel
- Aluminum
- Glass

MANUFACTURED

Canada

DIMENSIONS

380 x 280 x 280mm / 15" x 11" x 11"

ELECTRICAL

- Dimmable LED
- 100-240V

FINISHES



The Pivot series is an invitation to shape light. Balanced on an opalescent globe, a shade casts directional downlight and constant uplight while articulating on the light source itself. Playful and interactive, the table light allows for easy adjustments and dimming control.



PIVOT - TABLE
MAGMA



PIVOT - TABLE
BASALT



DESIGNER
LUKAS PEET

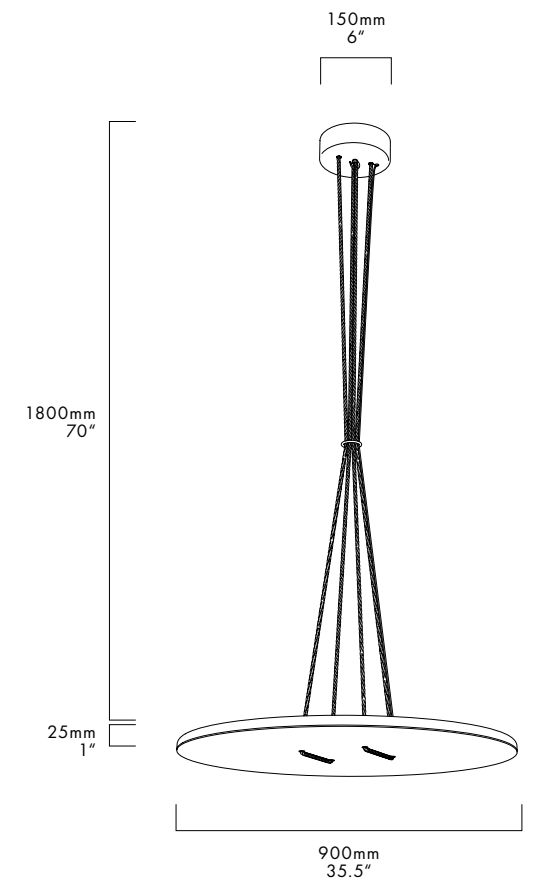
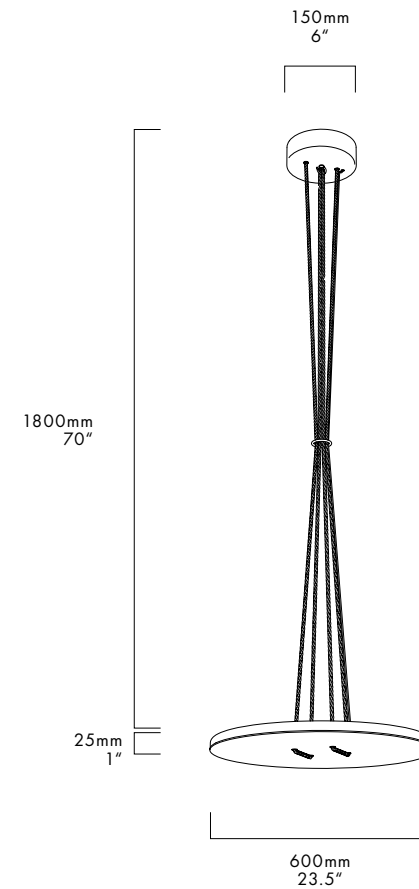
Button



BUTTON 90 – PENDANT
BLACK

BUTTON 60 – PENDANT

BUTTON 90 – PENDANT



FIXTURE TYPE
Pendant

- MATERIALS**
- Aluminum
 - Nylon Rope
 - Brass Hardware

MANUFACTURED
Canada

DIMENSIONS
60: 600 Ø x 25mm / 23.5" Ø x 1"
90: 900 Ø x 25mm / 35.5" Ø x 1"

FACTORY DROP LENGTH
1800mm / 70"
 *Custom length available upon request

- ELECTRICAL**
- 25W / 35W LED Panel
 - 50,000 hour Lifetime
 - 90+ CRI
 - Input Voltage: 120V, 230V + 277V
 - Integral 12V DC power supply included
 - Dimming Options: MLV, 0-10, Dali

COLOUR TEMPERATURE OPTIONS

2700K 3000K 3500K 4100K

WARM COOL

CERTIFICATIONS

UL LISTED CE

- FINISHES**
- BLACK
 - WHITE
 - GOLD
 - BRONZE
 - CUSTOM



BUTTON 90 – PENDANT
 BLACK
 INTERIOR
 STUDIO MSDS
 PHOTO
 ANGUS FERGUSSON



BUTTON 90 – PENDANT
 BLACK

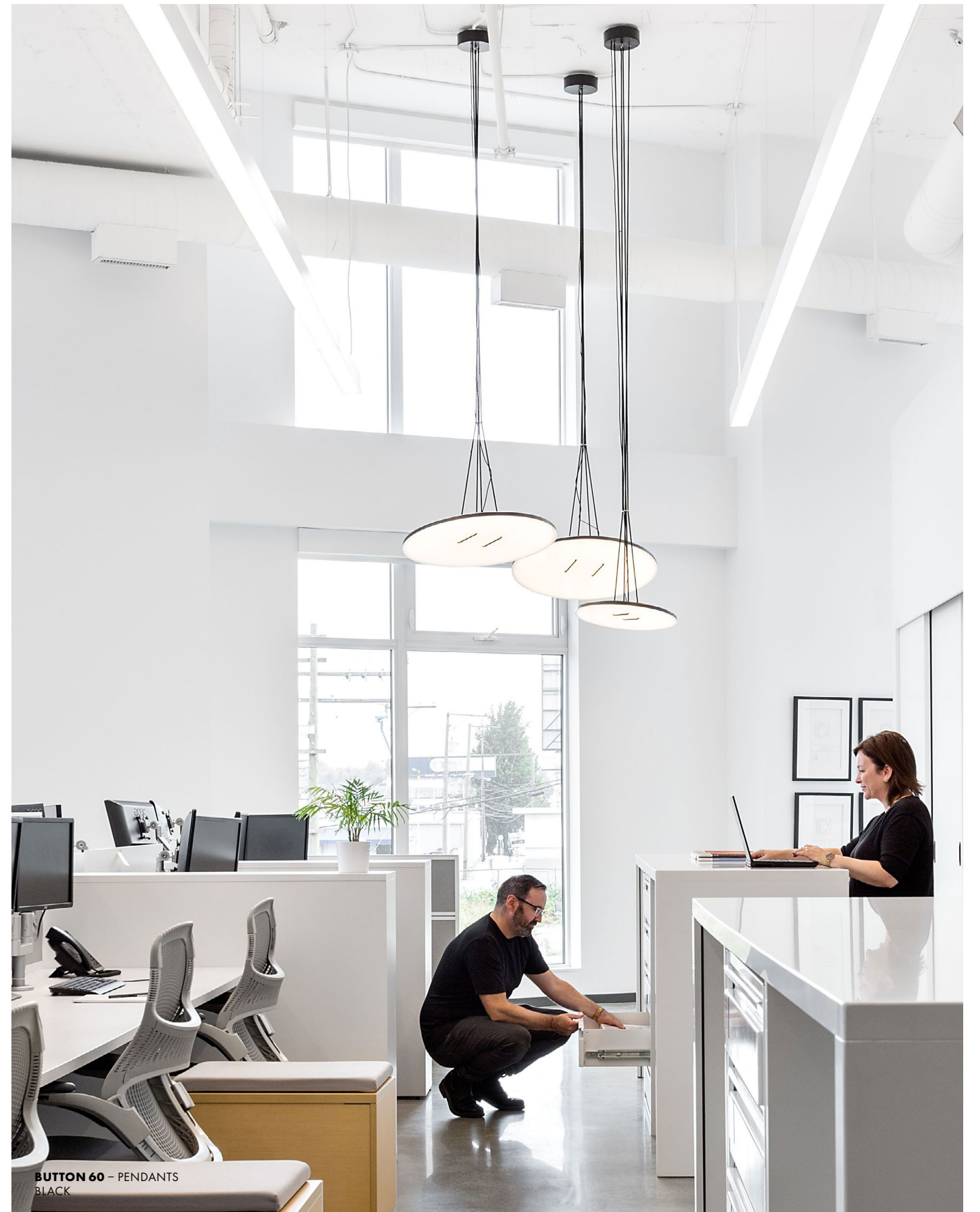
The Button series impresses and intrigues at first glance, balancing a statement yet soothing presence. Mimicking a giant button, the broad faced and thin profiled fixture is memorable and playful, while its wide circular surface LED casts a warm and inviting light.



BUTTON 90 - PENDANT
WHITE



BUTTON 60, 90 - PENDANTS
WHITE, BLACK



BUTTON 60 - PENDANTS
BLACK



BUTTON 60 - PENDANT
BRONZE

“The fixture has a nice combination of pure function and playfulness that invites human contact and interaction.”

—LUKAS PEET

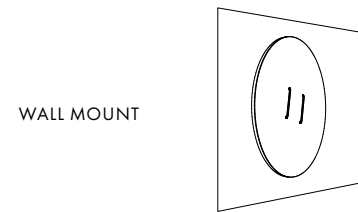
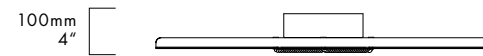
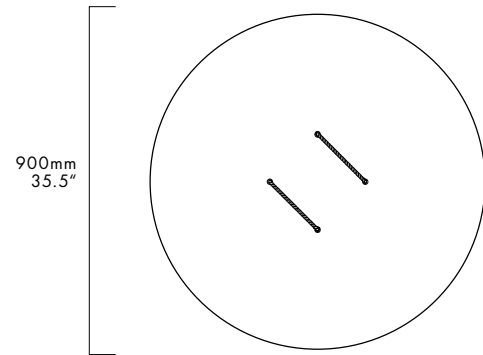
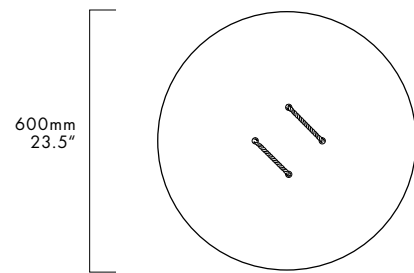
BUTTON 90 – PENDANT
WHITE



BUTTON 60, 90 – PENDANT
BLACK
INTERIOR
FALKEN REYNOLDS
PHOTO
EMA PETER

BUTTON 60 – CEILING/WALL

BUTTON 90 – CEILING/WALL



FIXTURE TYPE

Ceiling/Wall

MATERIALS

- Aluminum
- Nylon Rope
- Brass Hardware

MANUFACTURED

Canada

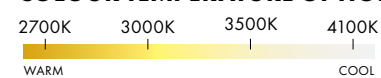
DIMENSIONS

60: 600 Ø x 100mm / 23.5" Ø x 4"
90: 900 Ø x 100mm / 35.5" Ø x 4"

ELECTRICAL

- 25W / 35W LED Panel
- 50,000 hour Lifetime
- 90+ CRI
- Input Voltage: 120V, 230V + 277V
- Integral 12V DC power supply included
- Dimming Options: MLV, 0-10, Dali

COLOUR TEMPERATURE OPTIONS



CERTIFICATIONS



FINISHES



BUTTON 90 – CEILING/WALL
BRONZE



BUTTON 90 - CEILING/WALL
BLACK



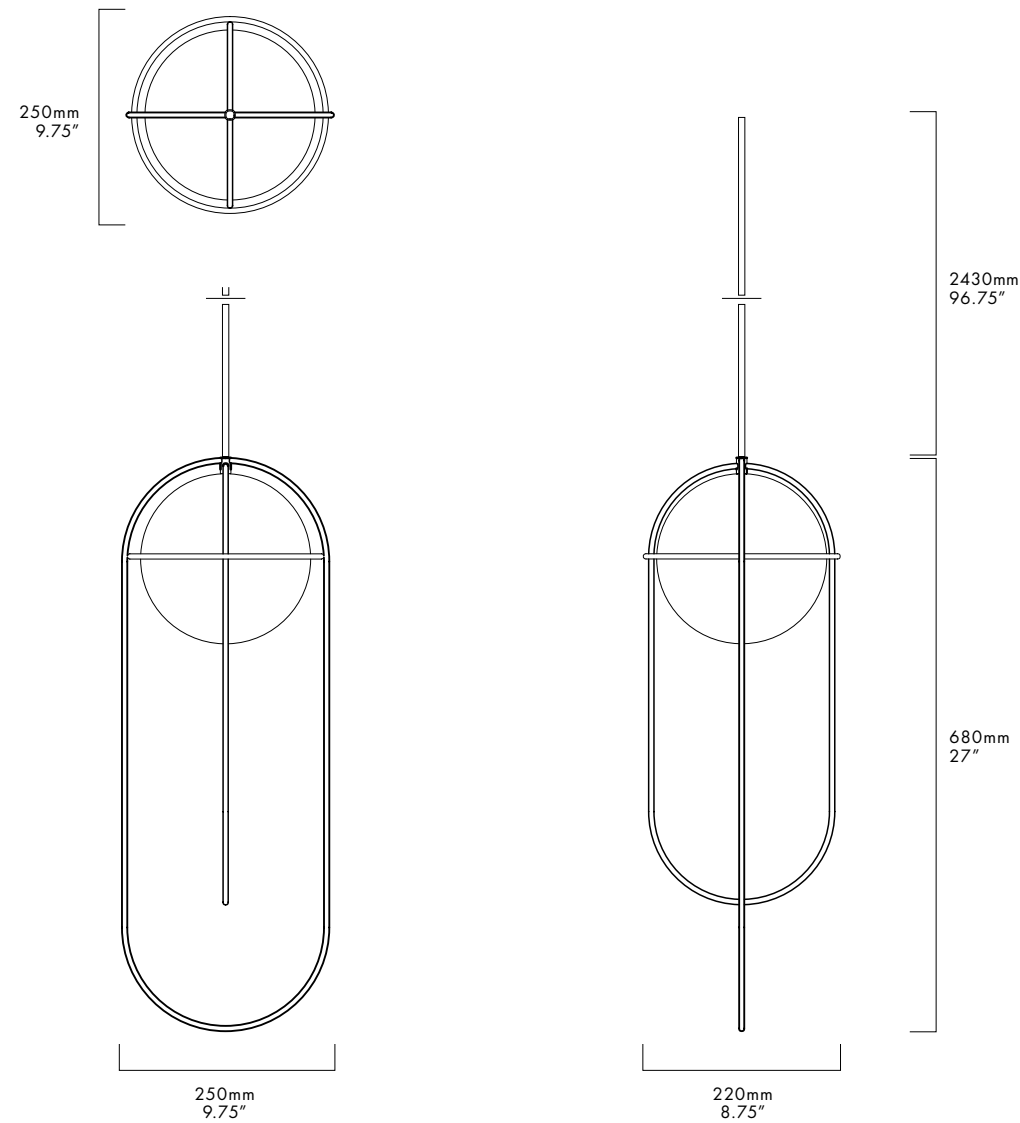
DESIGNER
LUKAS PEET

Orbit



ORBIT - PENDANTS
WHITE, BLACK

ORBIT - PENDANT



FIXTURE TYPE

Pendant

MATERIALS

- Steel Wire
- Etched Glass Globe

MANUFACTURED

Canada

DIMENSIONS

680 x 250mm / 27" x 9.75"

ELECTRICAL

- 100V to 240V
- Dimming: ELV

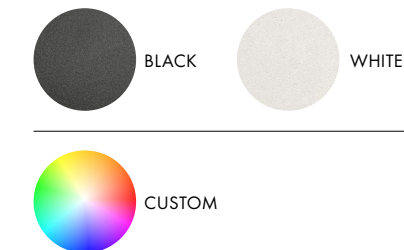
INCLUDED LAMP

- 1 x 4W G9 LED Lamp
- 3000k

CERTIFICATIONS



FINISHES





ORBIT – PENDANTS,
BLACK
INTERIOR
METAPHORE DESIGN
PHOTO
DAVID BOYER



ORBIT - PENDANTS
BLACK



The original light source, the sun, is the initial inspiration of all man-made lighting, hence glowing globes being iconic in lighting design. The Orbit series draws direct inspiration using an opalescent glass globe, giving a nod to our main star. Taking central stage, a glowing sphere is then enclosed in a wire cage evocative of the familiar planetary manoeuvre.

ORBIT - PENDANTS
BLACK





“The glowing globe is iconic in lighting. So simple and effective, it of course resembles the original light source—the sun. Orbit is a direct response to this, with its metal cage functionally protecting the glass as well as referring back to the sun and our own orbit around it.”

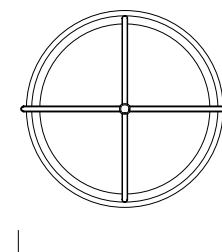
—LUKAS PEET

ORBIT - PENDANT
WHITE

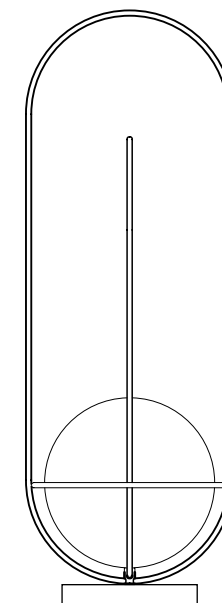


ORBIT - TABLE
WHITE

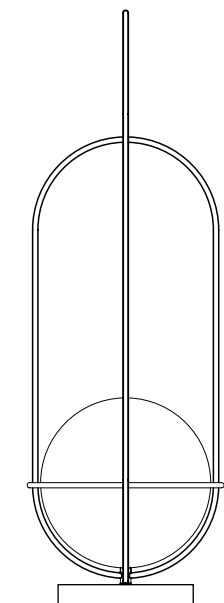
ORBIT - TABLE



250mm
9.75"



250mm
9.75"



700mm
27.5"

220mm
8.75"

FIXTURE TYPE

Table

MATERIALS

- Steel Wire
- Etched Glass Globe
- Marble

MANUFACTURED

Canada

DIMENSIONS

700 x 250mm / 27.5" x 9.75"

ELECTRICAL

- 100V to 240V
- Hand dimmer on cord

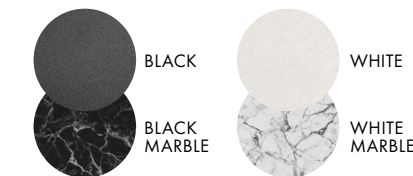
INCLUDED LAMP

- 1 x 4W G9 LED Lamp
- 3000K

CERTIFICATIONS



FINISHES



CUSTOM



ORBIT - TABLE
WHITE



ORBIT - TABLE
BLACK



ORBIT - TABLE, BLACK



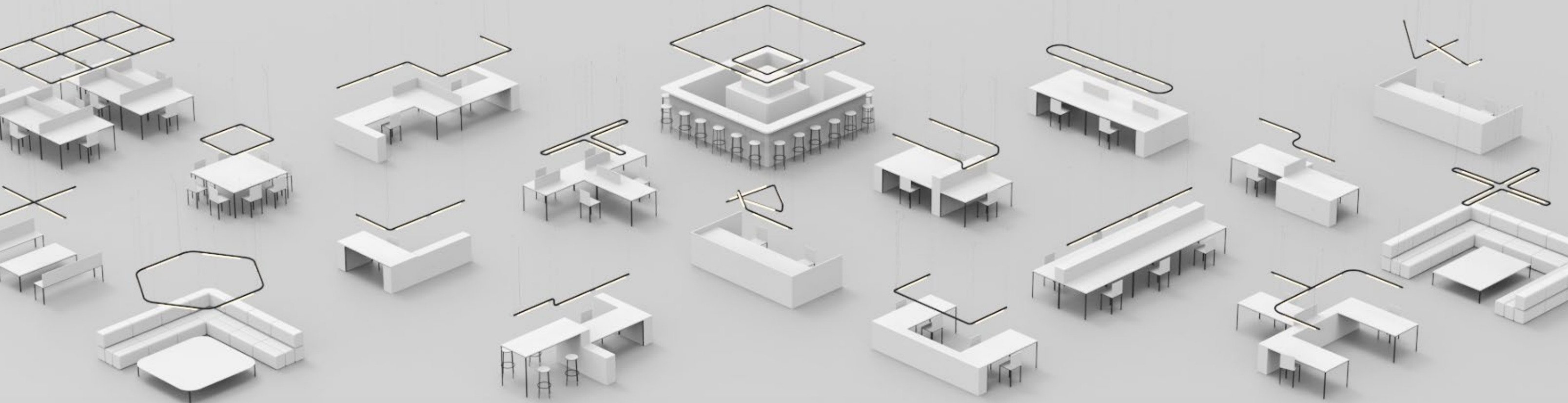
DESIGNER
CAINE
HEINTZMAN

Pipeline

PIPELINE SYSTEM

The Pipeline series begins with a linear LED light, elegant in its simplicity; however what sets it apart is the ability to expand the scale of the fixture by multiplying the modular pendant, creating an infinite range of tailored lights.

The Pipeline series may be suspended horizontally level or at angles, individually or in multiples.



PIPELINE SYSTEM

The Pipeline starts with two standard illuminated lengths—the 40 and the 125—and can be further customized into a variety of configurations.



PIPELINE 40, 125 – PENDANT
BLACK

PIPELINE SYSTEM

The ingenuity of the components enable the Pipeline to adapt to any interior space.

LINEAR SERIES

Two section sizes act as single modules or connect to multiply in space.



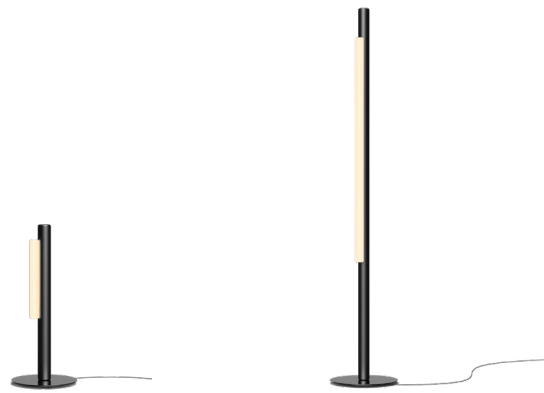
PIPELINE 40

PIPELINE 125

PIPELINE 125.2

TABLE/FLOOR

Upright, the table and floor variations series redirect light and purpose; while the chrome mirror weighted base enhances the sleek profile.



PIPELINE 40 - TABLE

PIPELINE 125 - TABLE

CEILING/WALL

Space efficient, the surface mounted Pipeline provides accent lighting while becoming an integral element of the environment it is set in.



PIPELINE 125 - CEILING/WALL

PIPELINE CM5 - CEILING/WALL

FIXTURE TYPE

Pendants, Floor, Table, Ceiling/Wall

MATERIALS

- Aluminum Body
- Cast Acrylic

MANUFACTURED

Canada

DIMENSIONS

Combination Specific

ELECTRICAL

- **40:** 5W / **125:** 15W LED
- 50,000 hour Lifetime
- 90+ CRI
- Input Voltage 100-240V + 277V
- Integral 24V DC power supply included
- Dimming Options: MLV, 0-10, Dali

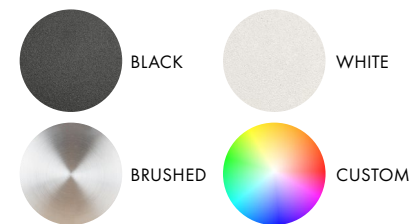
COLOUR TEMPERATURE OPTIONS



CERTIFICATIONS



STANDARD FINISHES



DECORATIVE FINISHES



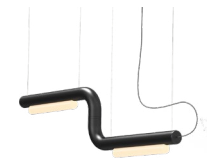
PIPELINE 125 - PENDANT
WHITE



PIPELINE CM7 – PENDANT
BLACK AND BRASS

COMBINATION (CM)

Flexibility is introduced to the system through the use of various elbows and straight connections between lengths. CM1-9 are some common combinations.



PIPELINE CM1



PIPELINE CM2



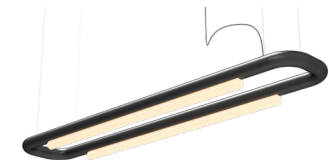
PIPELINE CM3



PIPELINE CM4



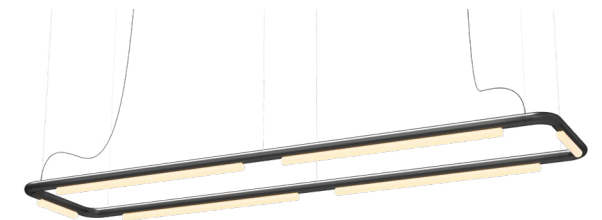
PIPELINE CM5



PIPELINE CM6



PIPELINE CM7



PIPELINE CM8



PIPELINE CM9



PIPELINE 125.3 – PENDANT
BLACK
INTERIOR
HEIA STUDIO



PIPELINE 125 – PENDANT
BLACK
INTERIOR
HEIA STUDIO



PIPELINE 125.3 - PENDANT
COPPER



PIPELINE CM9 – PENDANT
BLACK AND COPPER



PIPELINE CM4 – PENDANT
BRUSHED ALUMINUM AND COPPER
INTERIOR
SPECTOR GROUP



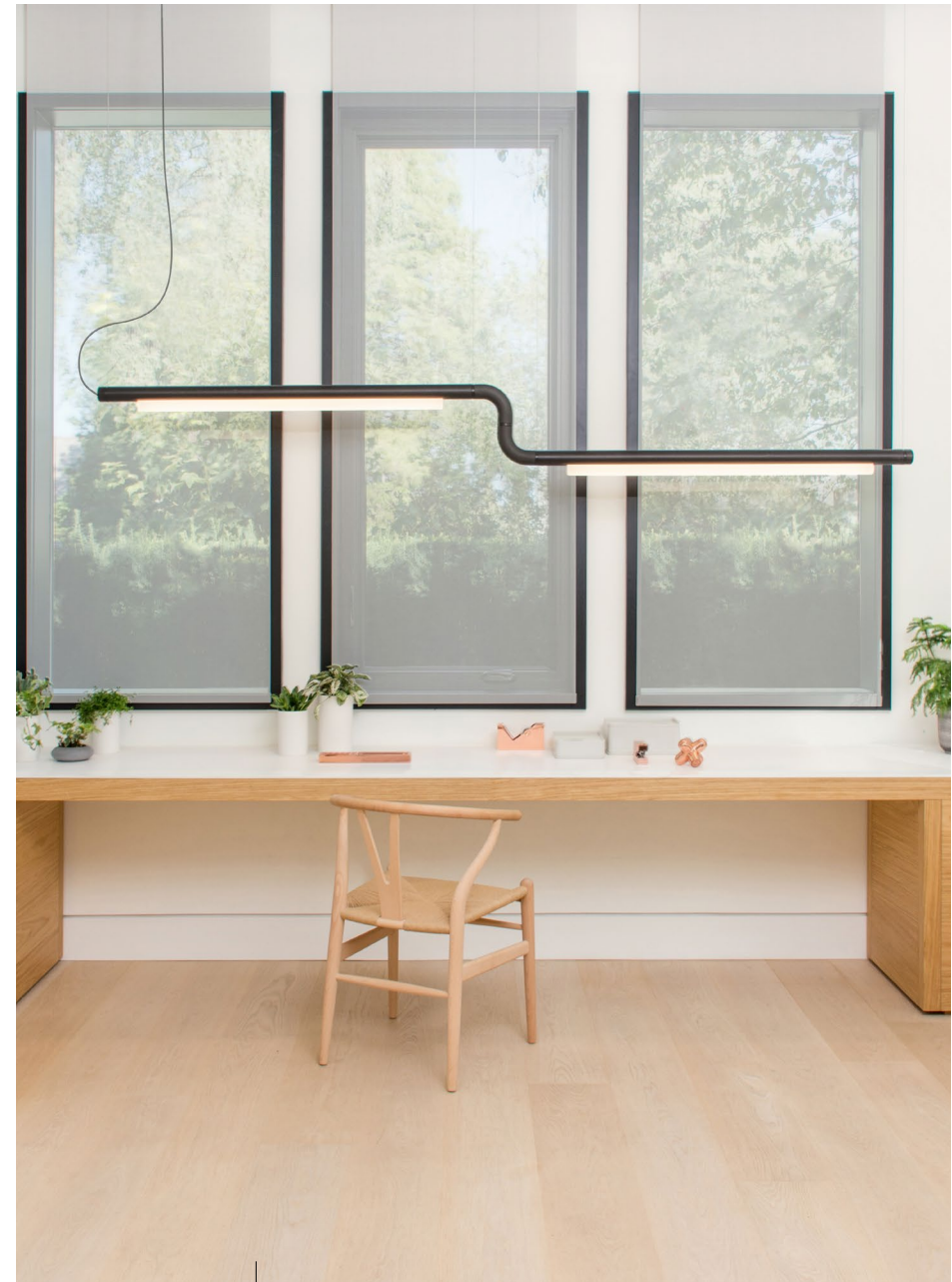
“The primary function of the Pipeline fixture is to provide evenly diffused linear light. The design of the body, all of the components, how it is assembled and how it is suspended serve that purpose, the result is an uncomplicated and very practical and applicable light fixture that is at home in many situations.”

—CAINE HEINTZMAN

PIPELINE CM4 – PENDANT
BLACK



PIPELINE CM, CUSTOM – PENDANT
WHITE



PIPELINE CM3 – PENDANT
BLACK
INTERIOR
FALKEN REYNOLDS

NEW!
2021



PIPELINE - CEILING/WALL, 125.3, BLACK, 125, BLACK



PIPELINE - CEILING/WALL
40, BLACK, 125, BLACK



PIPELINE - CEILING/WALL
125.2-125.5, BLACK

NEW!
2021



PIPELINE - CEILING/WALL
125.2, BRASS



PIPELINE - CEILING/WALL
BLACK, WHITE, COPPER, BRASS



CM 1

CM 2



CM 3

CM 4



CM 5

CM 6



CM 7

CM 8



CM 1

CM 2



CM 3

CM 4



CM 5

CM 6



CM 7

CM 8

NEW!
2021



PIPELINE - CEILING/WALL,
CUSTOM, BLACK



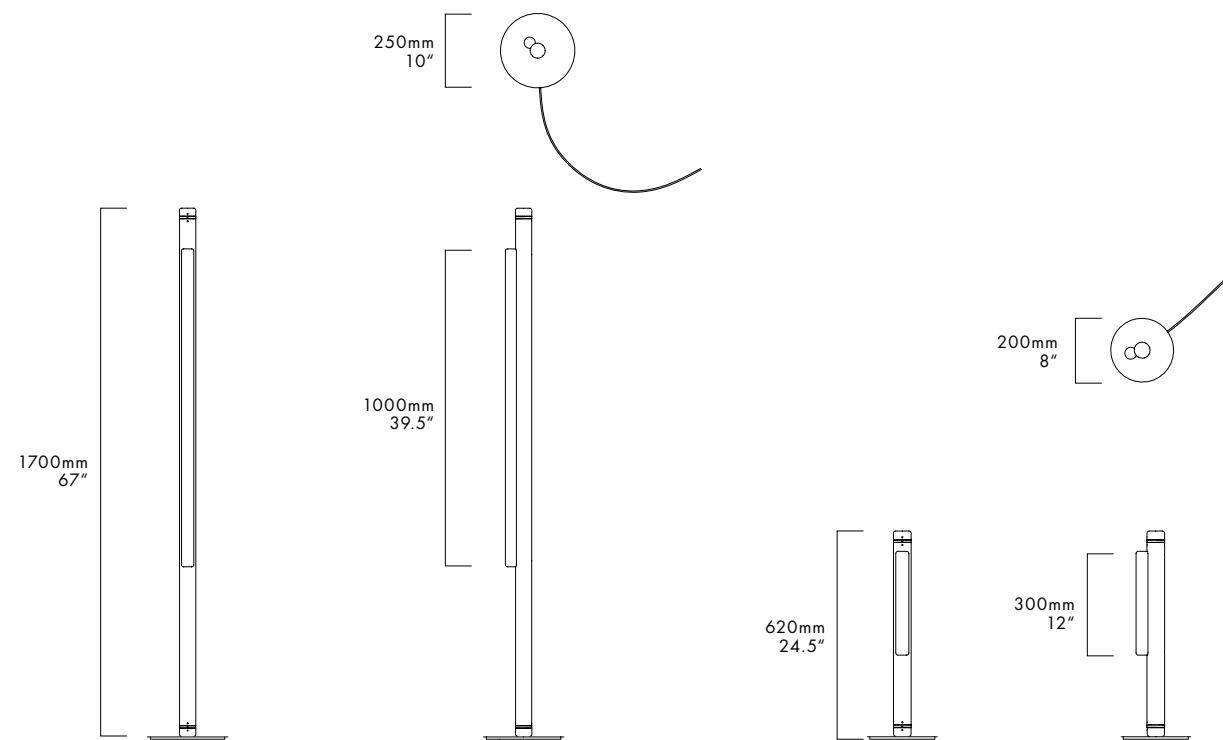
PIPELINE – FLOOR, TABLE
WHITE, BLACK

PIPELINE – FLOOR

PIPELINE – TABLE



PIPELINE – TABLE, FLOOR
BLACK, BLACK



FIXTURE TYPE

Table/Floor

MATERIALS

- Aluminum Body
- Cast Acrylic
- Polished Stainless Steel Base

MANUFACTURED

Canada

DIMENSIONS

Floor: 1700 x 250 x 250mm / 67"x10"x10"

Table: 620 x 200 x 200mm / 24.5"x8"x8"

ELECTRICAL

- 5W / 15W LED
- 50,000 hour Lifetime
- 90+ CRI
- Input Voltage 100–240V
- Floor Foot Dimmer Switch Included

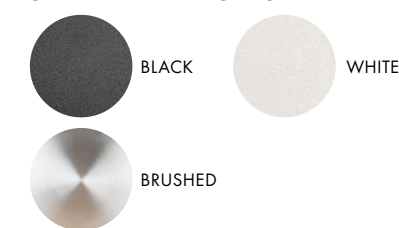
COLOUR TEMPERATURE



CERTIFICATIONS



STANDARD FINISHES



DECORATIVE FINISHES





DESIGNER
LUKAS PEET

Slab



SLAB 150 – PENDANT
 MARIGOLD
 INTERIOR
 GRZYWINKSI+PONS
 PHOTOGRAPHY
 NICHOLAS WORLEY

The Slab series combines a visually graphic presence, impossibly slim profile and acoustic dampening properties to provide an aesthetically unique and diverse light fixture. With most of its narrow body covered in soft material, the visual effect can vary greatly to seamlessly be integrated within any colour scheme interior, or rather stand out in a contrasting hue.

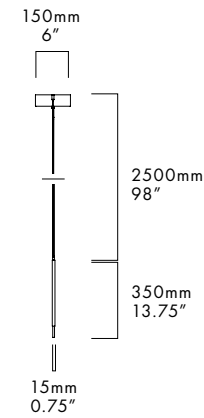


SLAB 30 – PENDANT
 FERN GREEN

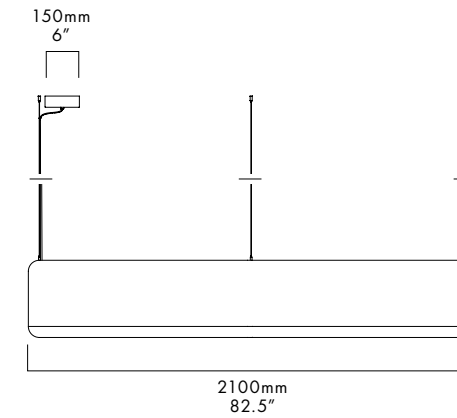


SLAB 150 - PENDANT
WOOL GREY

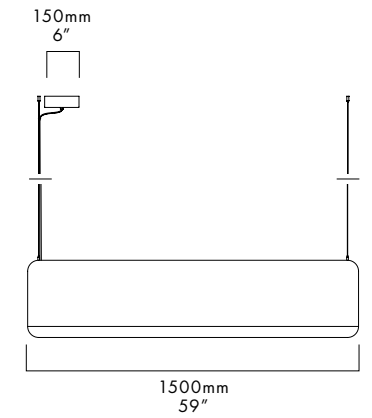
SIDE VIEW



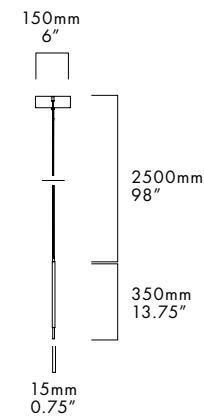
SLAB 210



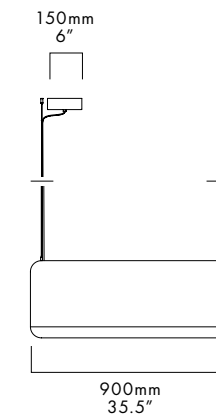
SLAB 150



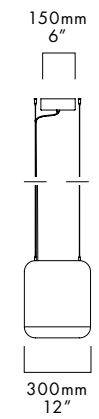
SIDE VIEW



SLAB 90



SLAB 30



FIXTURE TYPE

Pendant

MATERIALS

- Acrylic
- 100% Merino Wool Felt

MANUFACTURED

Canada

DIMENSIONS

Model Specific

ELECTRICAL

- 4W/10W/15W/21W LED Panel
- 50,000 hour Lifetime
- 90+ CRI
- Input Voltage: 120V, 230V + 277V
- Integral 12V DC power supply included
- Dimming Options: MLV, 0-10, Dali

COLOUR TEMPERATURE OPTIONS



CERTIFICATIONS



FINISHES



“Enveloping this luminaire with 100% industrial-grade Merino wool aids in reducing the ambient sound in each space while offering a unique and tactile finish.”

—LUKAS PEET



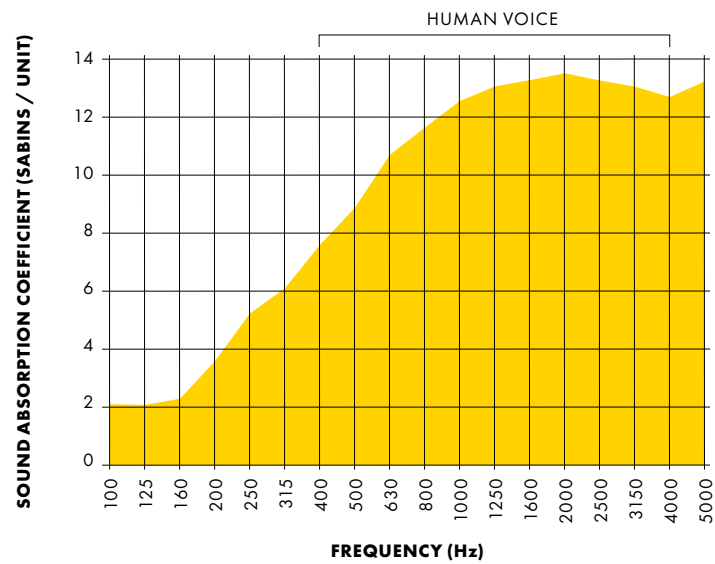
SLAB 150 – PENDANT
 WOOL GREY
 ARCHITECTS
 LA SHED
 PHOTO
 MAXIME BROUILLET






SLAB 90, 30 - PENDANTS,
WOOL GREY, MARIGOLD

ACOUSTICS

Multi-functional, the Slab series illuminates any given space while efficiently absorbing sound waves through its 100% Merino wool envelope.



96% REDUCTION, HIGH FREQUENCY	72% REDUCTION, MID FREQUENCY	25% REDUCTION, LOW FREQUENCY
		

SLAB 210, 30 – PENDANT
WOOL GREY, MARIGOLD
ARCHITECTS
IMPERATORI DESIGN
PHOTO
RAY VAN DUSEN



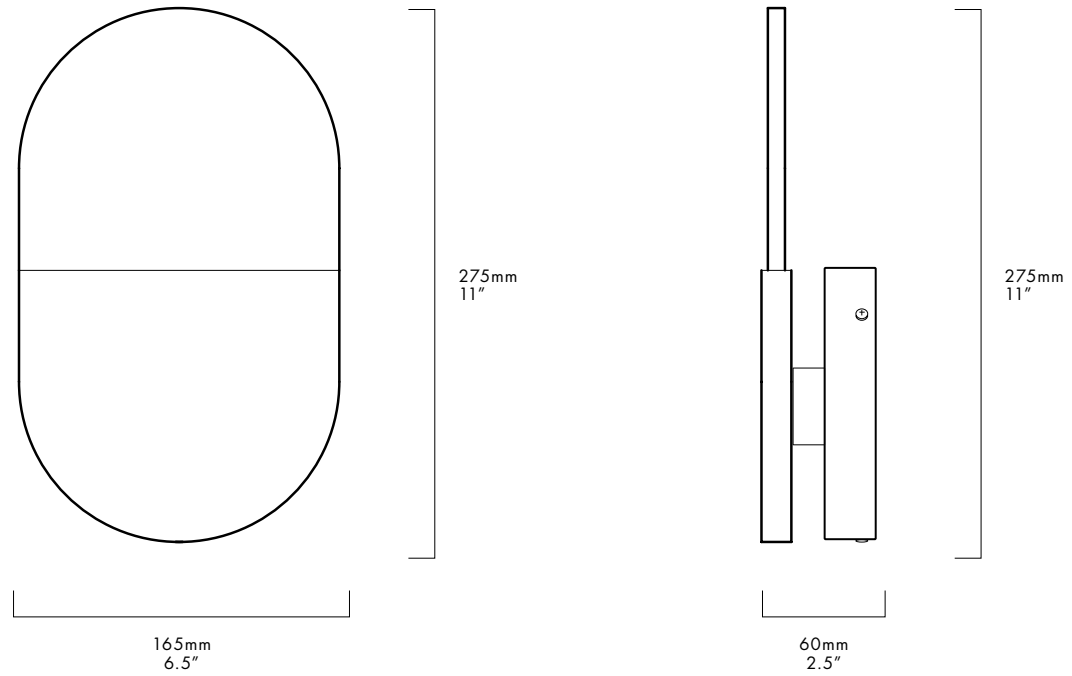


SLAB W20 – WALL
 WOOL WHITE, WOOL BLACK,
 WOOL BROWN, WOOL GREY



SLAB W20 – CEILING/WALL
 WOOL GREY

SLAB W20 - WALL



FIXTURE TYPE

Wall

MATERIALS

- Acrylic
- 100% Merino Wool Felt

MANUFACTURED

Canada

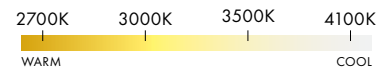
DIMENSIONS

165 x 275 x 60mm / 6.5" x 11" x 2.5"

ELECTRICAL

- 3W LED Panel
- 50,000 hour Lifetime
- 90+ CRI
- Input Voltage: 120V, 230V + 277V
- Integral 12V DC power supply included
- Dimming Options: MLV or 0-10 + Dali "Remote only"

COLOUR TEMPERATURE OPTIONS



CERTIFICATIONS



FINISHES



SLAB W20 - WALL
FERN GREEN

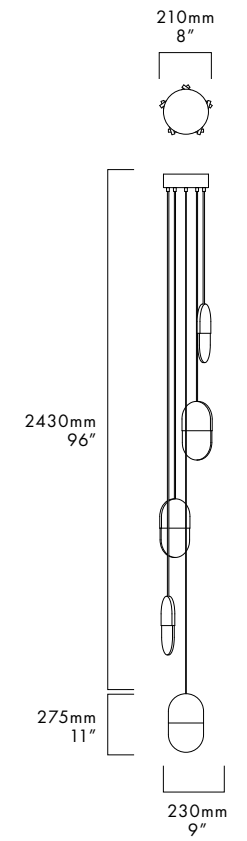
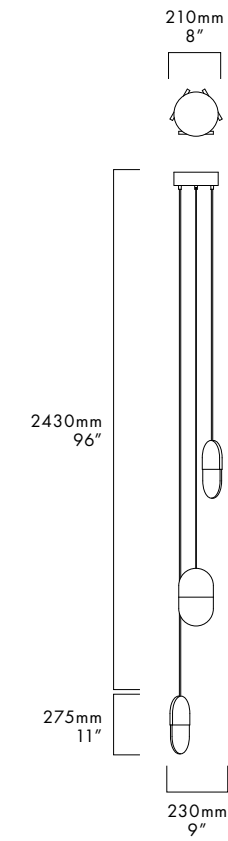
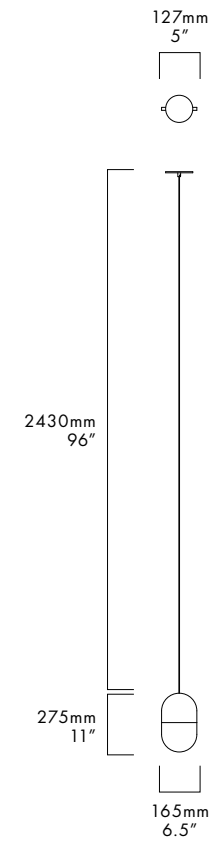
SLAB 20 – PENDANT

SLAB 20.3 – PENDANT

SLAB 20.5 – PENDANT



SLAB 20.3 – PENDANT
WOOL GREY



FIXTURE TYPE

Pendant

MATERIALS

- Acrylic
- 100% Merino Wool Felt

MANUFACTURED

Canada

DIMENSIONS

165 x 275 x 15mm /
6.5" x 11" x 0.75" Per Piece

ELECTRICAL

- 3W/9W/15W LED Panel
- 50,000 hour Lifetime
- 90+ CRI
- Input Voltage: 120V, 230V + 277V
- Integral 12V DC power supply included
- Dimming Options: MLV, 0-10, Dali

COLOUR TEMPERATURE OPTIONS



CERTIFICATIONS



FINISHES



DESIGNER
LUKAS PEET

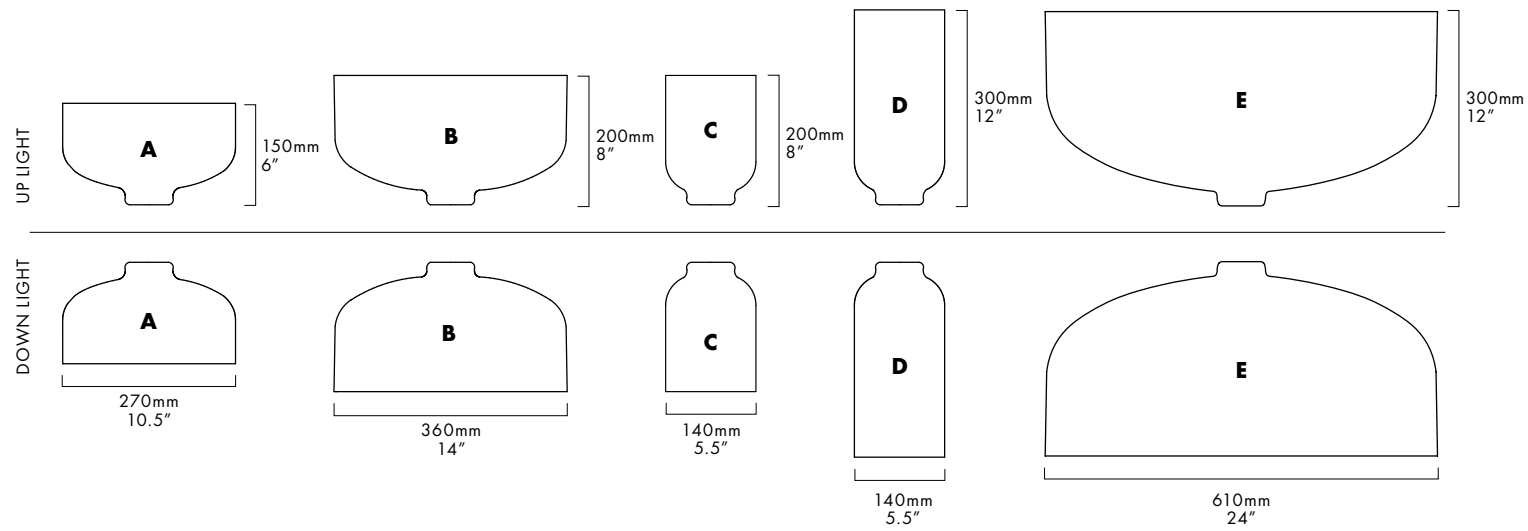
Spotlight Volumes





SPOTLIGHT VOLUMES – PENDANT
 E/C, VANILLA
 INTERIOR
 MEYER DAVIS
 PHOTO
 CHASE DANIEL

SPOTLIGHT VOLUMES – PENDANT



FIXTURE TYPE

Pendant

MATERIALS

Spun Aluminum Shade

MANUFACTURED

Canada

DIMENSIONS

Combination Pendant

ELECTRICAL

- 100-240V
- Dimming: ELV

INCLUDED LAMP

- 2700K
- 2 x E26/27 12W A19
- 140mm/5.5" Glass Globe for A Shade
- 175mm/7" Glass Globe for B Shade

CERTIFICATIONS

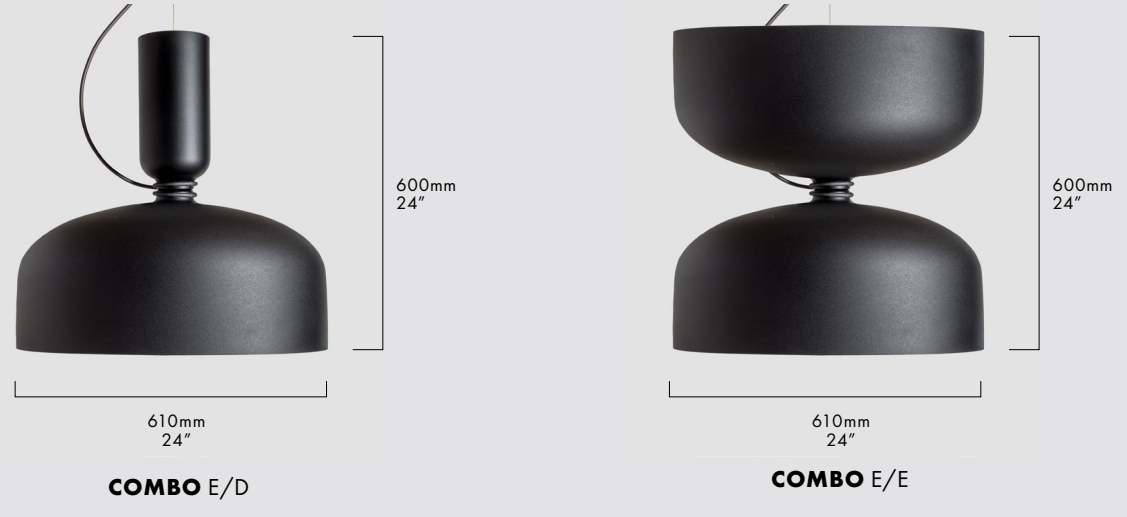


STANDARD FINISHES



SPOTLIGHT VOLUMES – PENDANT
B/D, VANILLA

**NEW!
2022**





Inspired by spotlights, the Spotlight Volumes series is based on four unique shade profiles which combine in various ways. Designed with a modern silhouette, the inspiration is based on a classic shape, giving a timeless air to the fixture. The pendant version features a conventional down light as well as an unconventional uplight, offering multidirectional illumination.

**SPOTLIGHT
VOLUMES – PENDANT**
D/C, B/D, B/A, BLACK

INTERIOR
AUTOSTRADA
PHOTO
BRITNEY GILL



SPOTLIGHT VOLUMES – PENDANT
A/C, SAGE



SPOTLIGHT VOLUMES – FLOOR
E, BLACK



SPOTLIGHT VOLUMES – PENDANT
 B/A, VANILLA
 INTERIOR
 LUNDBERG DESIGN
 PHOTO
 THOMAS KUOH



SPOTLIGHT VOLUMES – PENDANT
 B/D, VANILLA
 INTERIOR
 BATTERSBY HOWAT
 PHOTO
 ANDREW LATREILLE

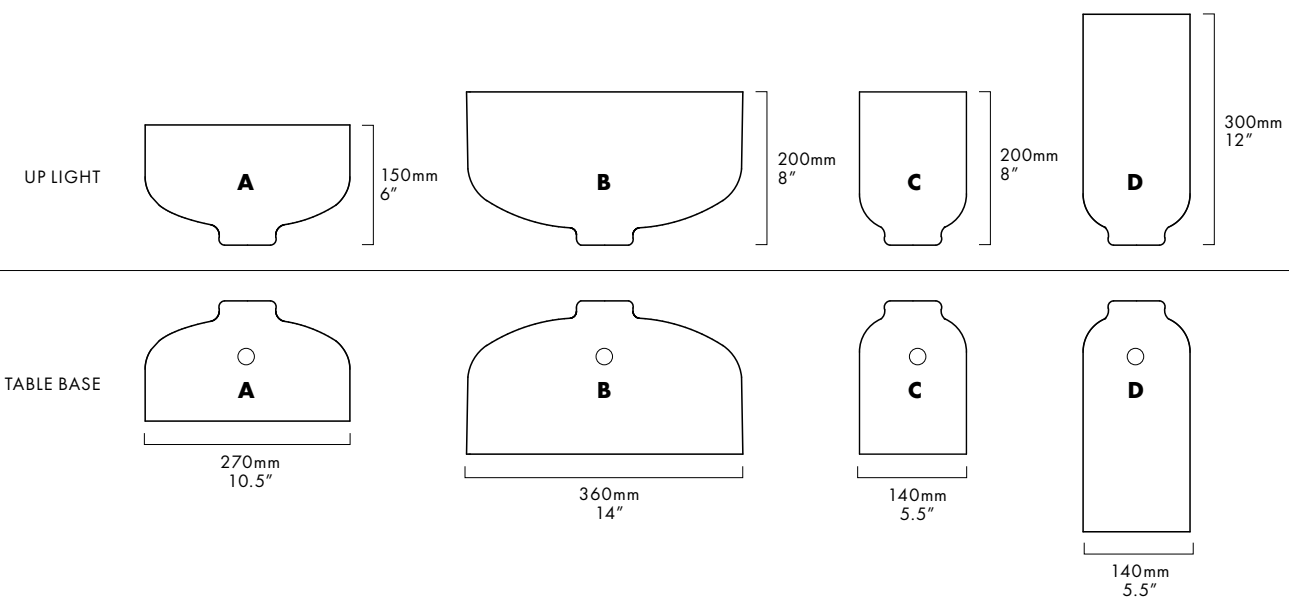


SPOTLIGHT VOLUMES – PENDANTS
 B/D, D/A, VANILLA

SPOTLIGHT VOLUMES – TABLE



SPOTLIGHT VOLUMES – TABLE
D/B, BLACK



FIXTURE TYPE

Table

MATERIALS

- Spun Aluminum Shade
- Billet Dimmer Knob

MANUFACTURED

Canada

DIMENSIONS

Combination Dependant

ELECTRICAL

- 100–240V
- Integral Dimmer Knob

INCLUDED LAMP

- 2700K
- 1 x E26/27 12W A19
- 140mm/5.5" Glass Globe for A Shade
- 175mm/7" Glass Globe for B Shade

CERTIFICATIONS



STANDARD FINISHES





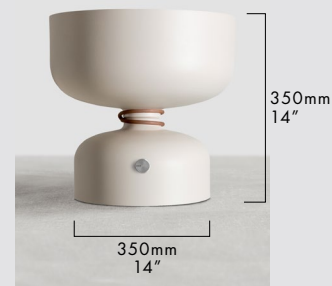
SPOTLIGHT VOLUMES – TABLE
D/D, SAGE



SPOTLIGHT VOLUMES – TABLE
D/A, VANILLA



COMBO A/A



COMBO A/B



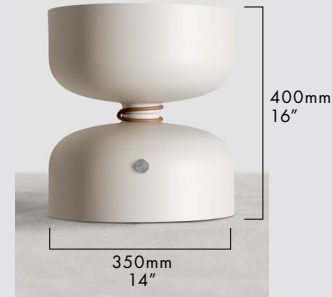
COMBO A/C



COMBO A/D



COMBO B/A



COMBO B/B



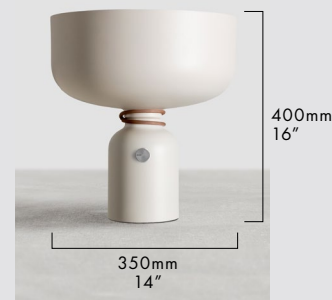
COMBO B/C



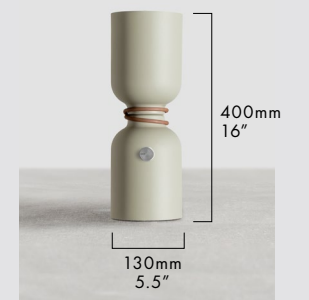
COMBO B/D



COMBO C/A



COMBO C/B



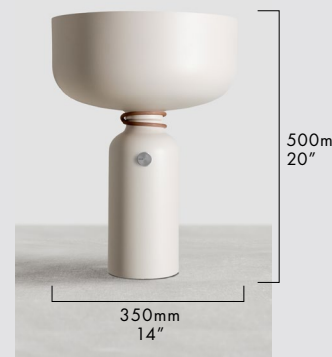
COMBO C/C



COMBO C/D



COMBO D/A



COMBO D/B



COMBO D/C



COMBO D/D



**SPOTLIGHT
VOLUMES** – TABLE
D/B, AVOCADO

INTERIOR
FALKEN REYNOLDS

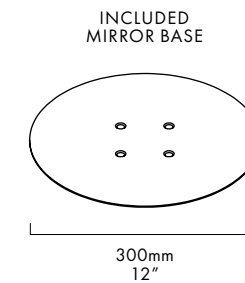
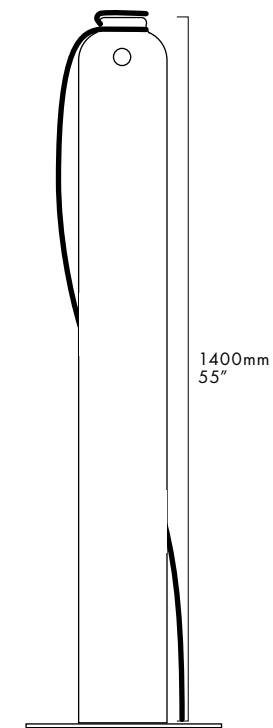
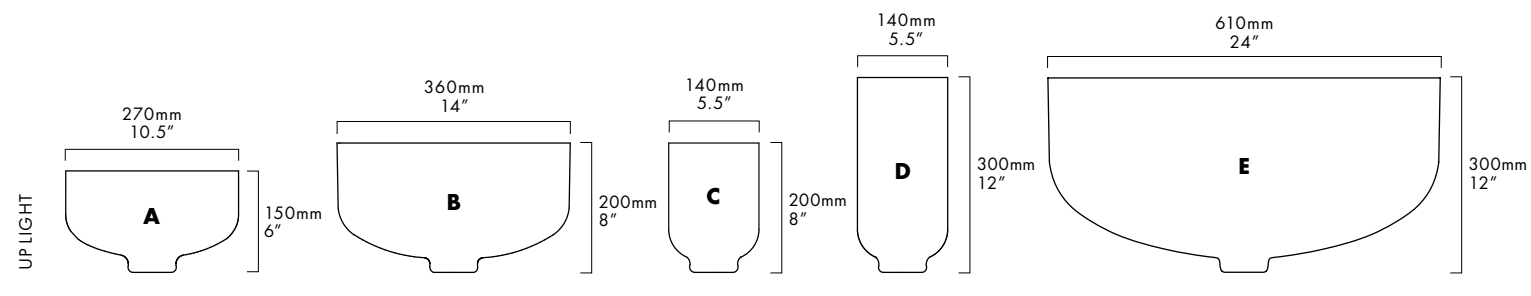


SPOTLIGHT VOLUMES – TABLE
C/C, BLACK



SPOTLIGHT VOLUMES – FLOOR
C, BLACK

SPOTLIGHT VOLUMES – FLOOR



FIXTURE TYPE

Floor

MATERIALS

- Spun Aluminum Shade
- Billet Dimmer Knob

MANUFACTURED

Canada

DIMENSIONS

Combination Dependant

ELECTRICAL

- 100-240V
- Integral Dimmer Knob

INCLUDED LAMP

- 2700K
- 1 x E26/27 16W A21
- 140mm/5.5" Glass Globe for A Shade
- 175mm/7" Glass Globe for B Shade

STANDARD FINISHES



CERTIFICATIONS



SPOTLIGHT VOLUMES – FLOOR



A, BLACK



B, VANILLA



C, AVOCADO



D, SAJE



E, BLACK

NEW!
2022

“I wanted to expand on the strong silhouette and character of the Spotlight Volumes series of pendants, ceilings and table lights. The elongated proportions of the base combined with any of the four top shades give it architectural stature, thus resulting in a dimmable uplight floor lamp. The adaptation of the concept to a floor lamp came as a logical extension to the series; as versatility remains one of the key focuses of the development.”

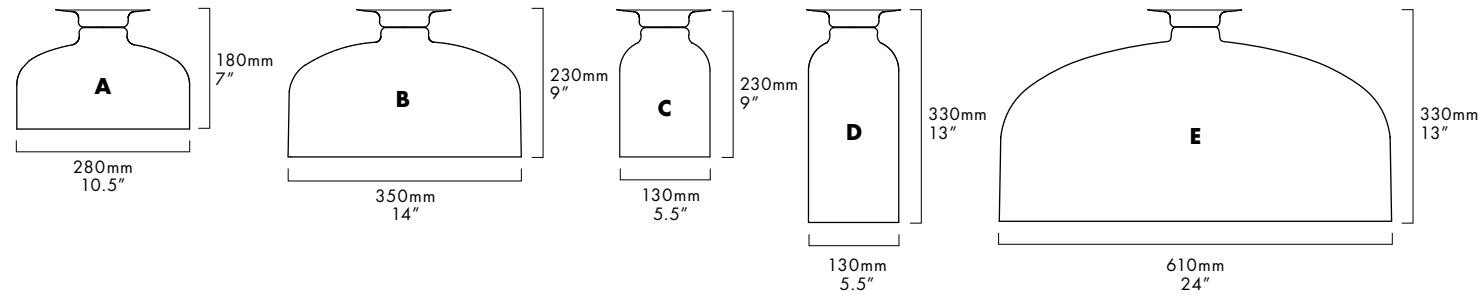
—LUKAS PEET



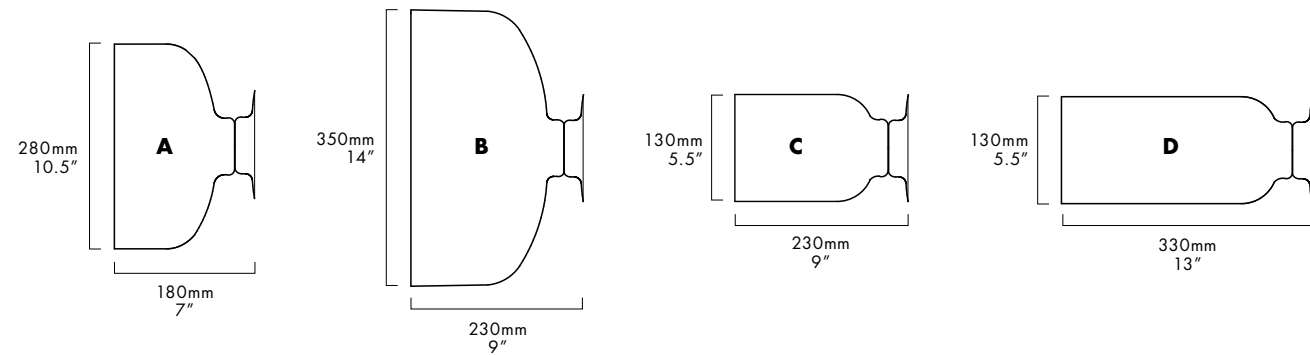
SPOTLIGHT VOLUMES – FLOOR, TABLE
 B, BLACK; C/A, BLACK
 FLOOR FIXTURE SHOWN WITH BOLT DOWN KIT

SPOTLIGHT VOLUMES – CEILING/WALL

CEILING



WALL



FIXTURE TYPE

Ceiling/Wall

MATERIALS

Spun Aluminum Shade

MANUFACTURED

Canada

DIMENSIONS

Combination Dependant

ELECTRICAL

- 100-240V
- Dimming: ELV

INCLUDED LAMP

- 2700K
- 1 x E26/27 12W A19
- 140mm/5.5" Glass Globe for A Shade
- 175mm/7" Glass Globe for B Shade

CERTIFICATIONS



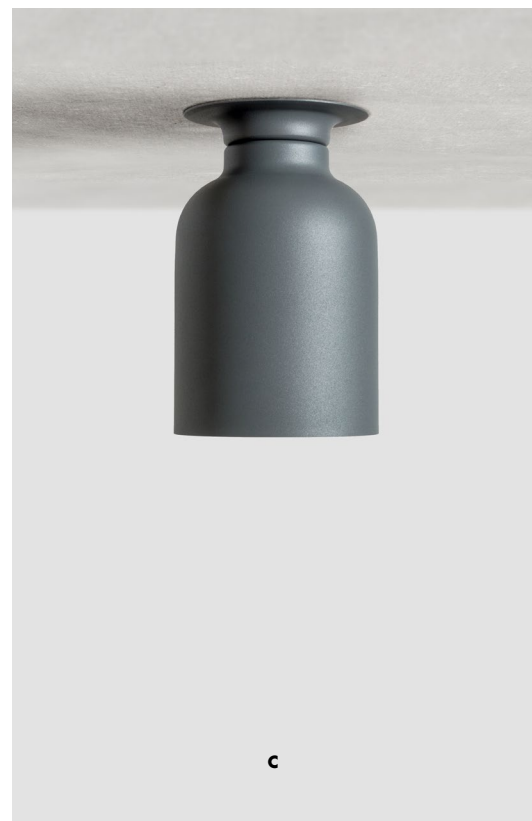
STANDARD FINISHES



SPOTLIGHT VOLUMES – CEILING/WALL
 B, AVOCADO; C, BLACK;
 E, BLACK;
 D, SAGE; A, VANILLA



A



C



B



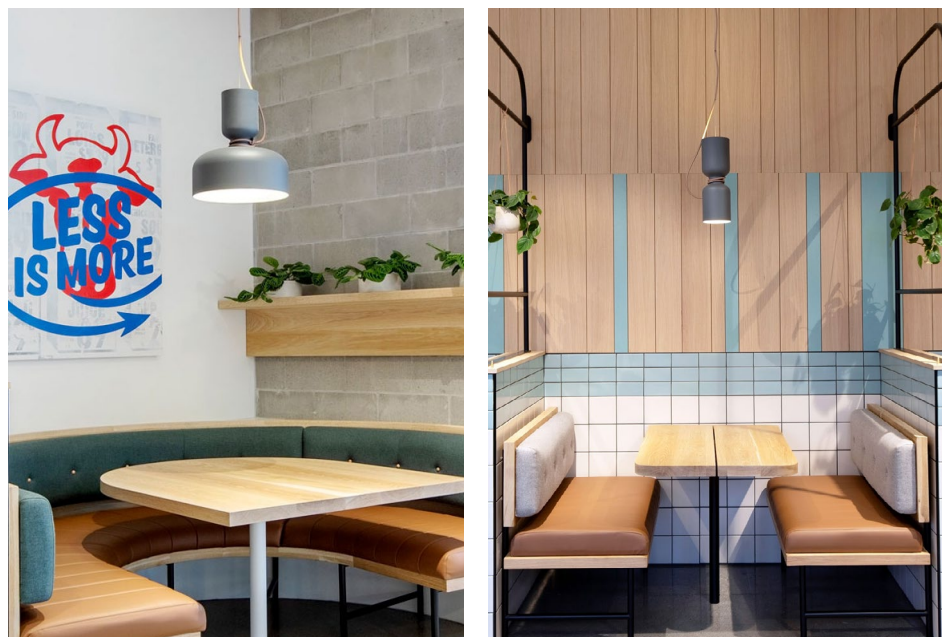
D

SPOTLIGHT VOLUMES – CEILING/WALL
 A, SAGE; C, AVOCADO;
 B, BLACK; D, VANILLA



E

SPOTLIGHT VOLUMES – CEILING/WALL
 E, AVOCADO



SPOTLIGHT VOLUMES - PENDANT
 B/C, C/C, AVOCADO
 INTERIOR
 EVOKE DESIGN
 PHOTO
 JANIS NICOLAY



SPOTLIGHT VOLUMES - CEILING/WALL + PENDANT
 B, VANILLA; B/C, AVOCADO
 INTERIOR
 EVOKE DESIGN
 PHOTO
 JANIS NICOLAY



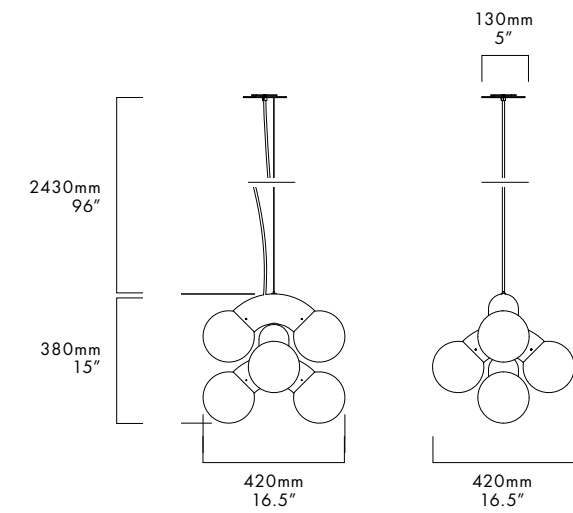
DESIGNER
CAINE
HEINTZMAN

Vine

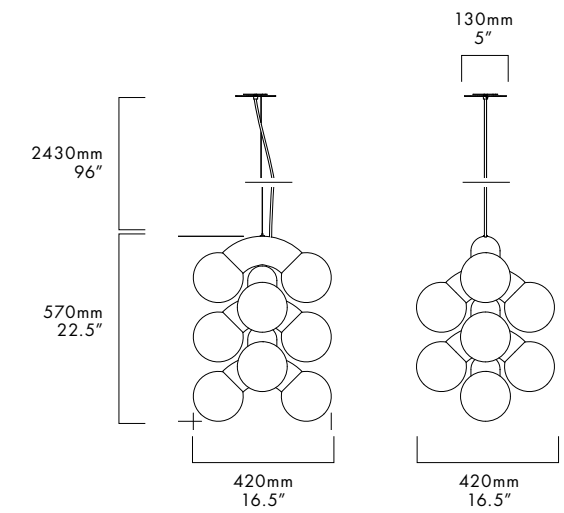


VINE 5 – PENDANT
MIDNIGHT CHROME

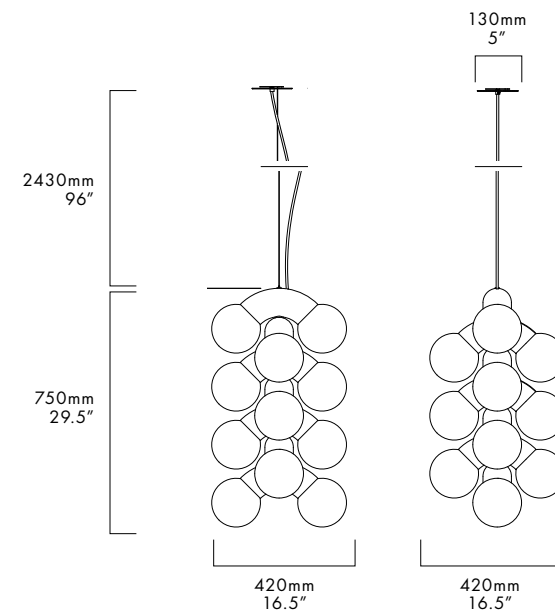
VINE 3 – PENDANT



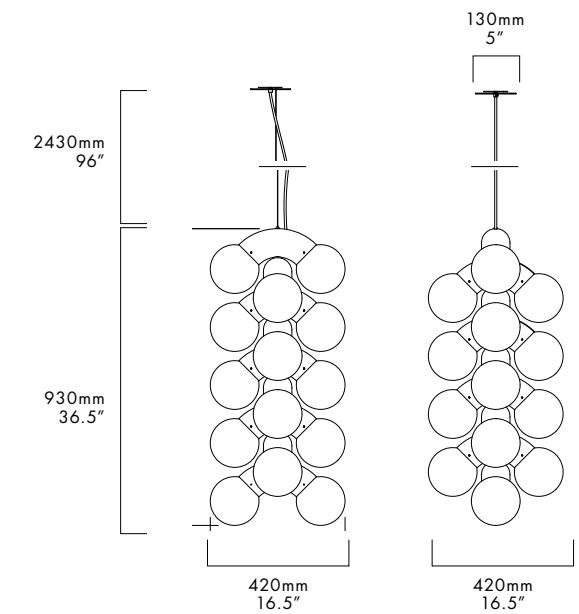
VINE 5 – PENDANT



VINE 7 – PENDANT



VINE 9 – PENDANT



FIXTURE TYPE

Pendant

MATERIALS

- Chromed Steel
- Opal Glass Globe

MANUFACTURED

Canada

DIMENSIONS

Model Specific

ELECTRICAL

- 120V / 230V
- Dimming: ELV

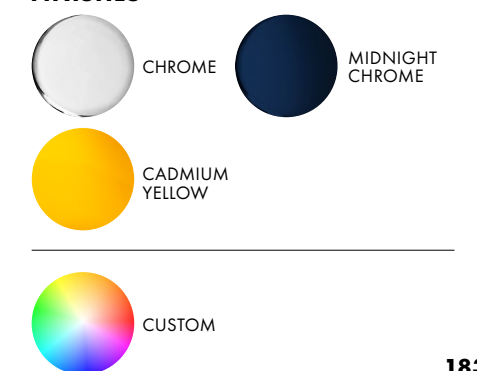
INCLUDED LAMP

- 3000K
- 6 x/10 x/14 x/18 x 4W G9 LED Lamp

CERTIFICATIONS



FINISHES

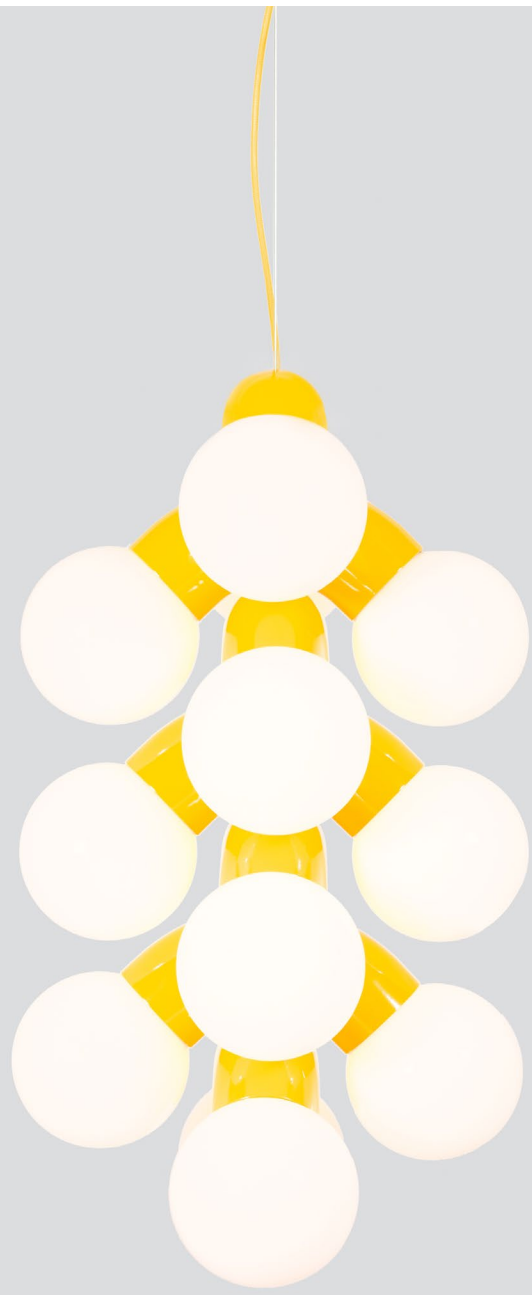




The Vine series introduces exaggerated form with propensity for repetition resulting in a bold impact. Composed of a poised chrome arc flanked by two glowing glass globes—the multiplication of the module enables the fixture to grow low, exponentially overstating the fixture’s overall silhouette.

VINE 5, 9, 3 – PENDANT
MIDNIGHT CHROME, CHROME

NEW!
2021



VINE 7 - PENDANT
YELLOW



VINE 9 - PENDANT
MIDNIGHT CHROME

“Vine addresses the need for a fixture of scale, radiance, and exuberance. Efficient LED lamps are amplified by opal glass in repetition, which help generate a very big fixture from very little electricity and just a few simple components.”

—CAINE HEINTZMAN



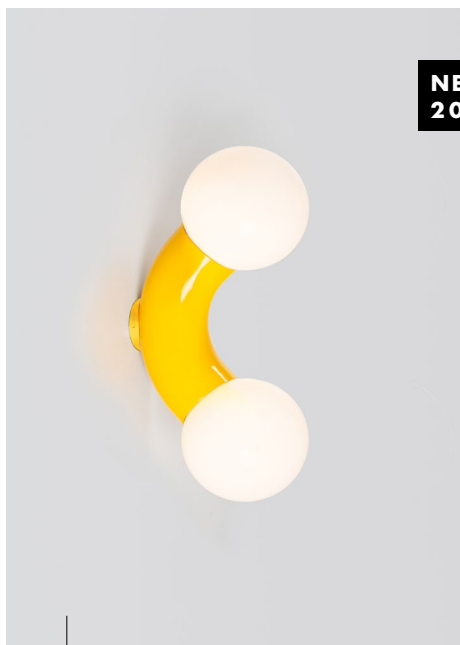
VINE 5 - PENDANT
CHROME



VINE - CEILING/WALL
CHROME



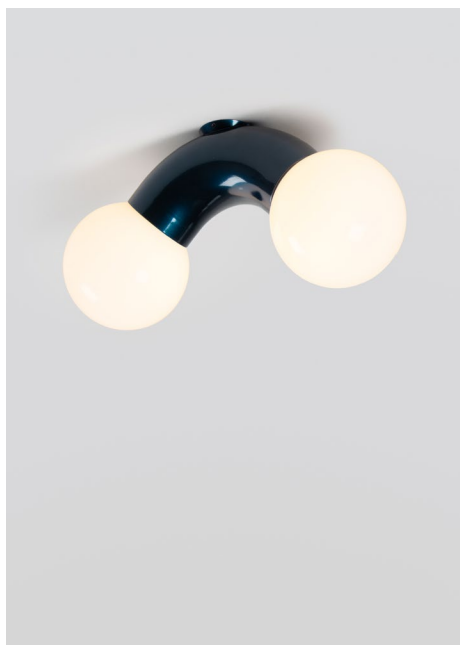
VINE - CEILING/WALL
CHROME



VINE - CEILING/WALL
YELLOW



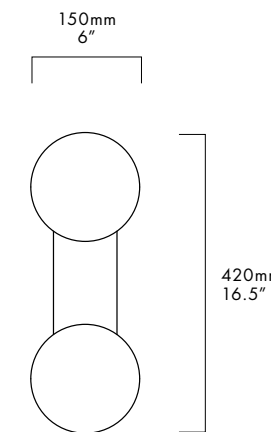
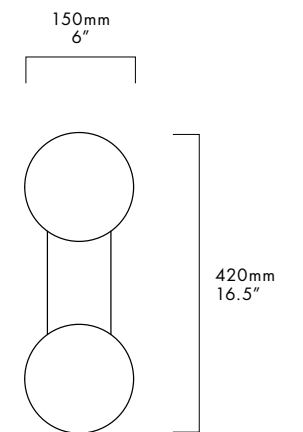
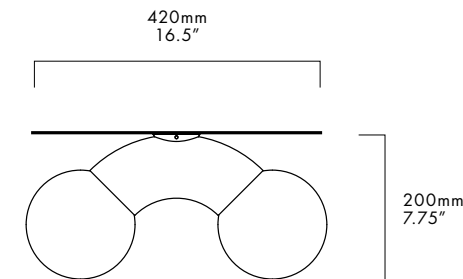
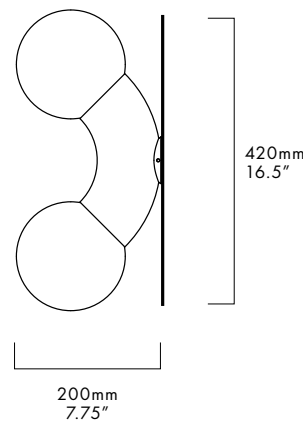
VINE - CEILING/WALL
MIDNIGHT CHROME



NEW!
2021

VINE - WALL

VINE - CEILING



FIXTURE TYPE
Ceiling/Wall

- MATERIALS**
- Chromed Steel
 - Opal Glass Globe

MANUFACTURED
Canada

DIMENSIONS
420 x 200 x 150mm/
16.5" x 7.75" x 6"

- ELECTRICAL**
- 120V / 230V
 - Dimming: ELV

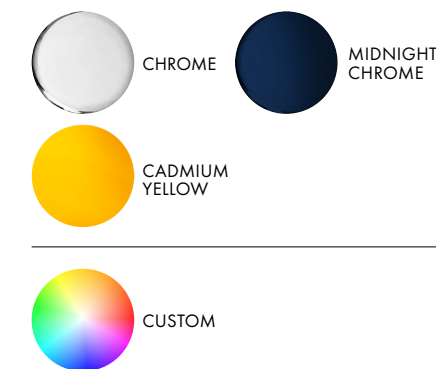
- INCLUDED LAMP**
- 3000K
 - 2 x 4W G9 LED Lamp

CANOPY KIT
For North America ships with canopy and trimless rough-in.

CERTIFICATIONS

UL LISTED CE

FINISHES

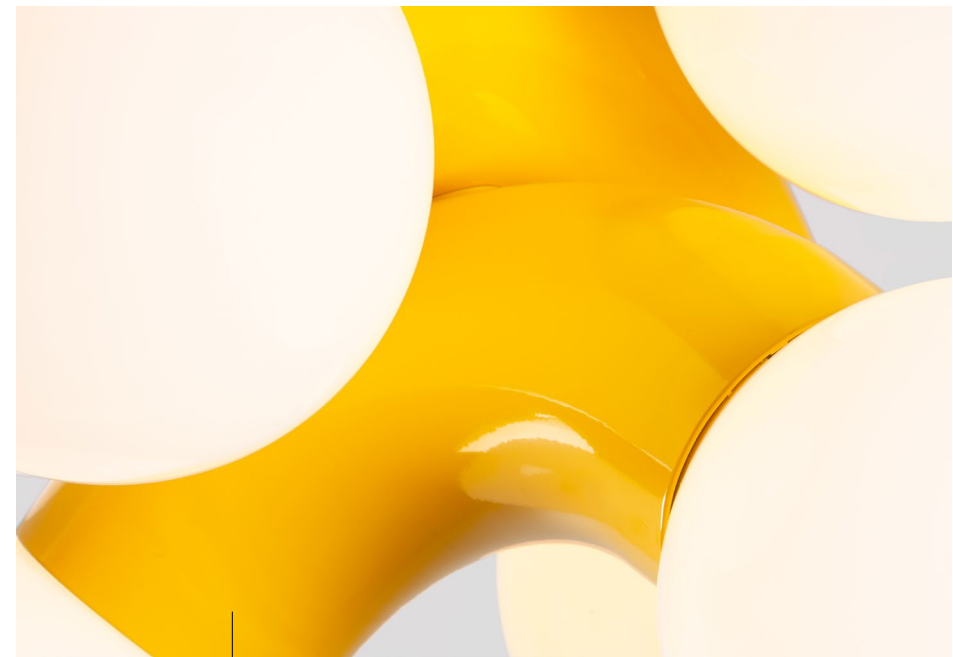
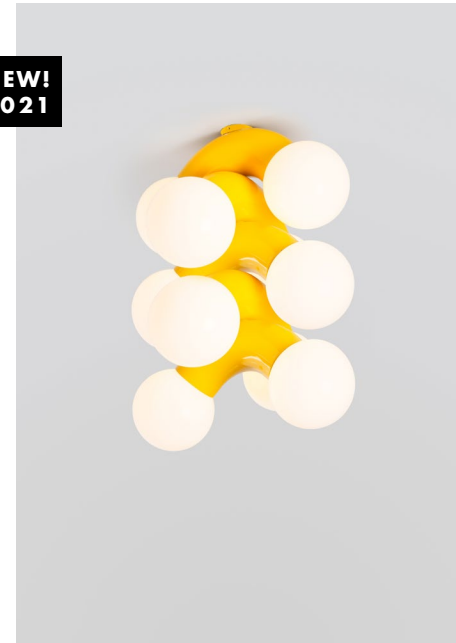




VINE - CEILING/WALL
YELLOW

VINE 7 - PENDANT
YELLOW

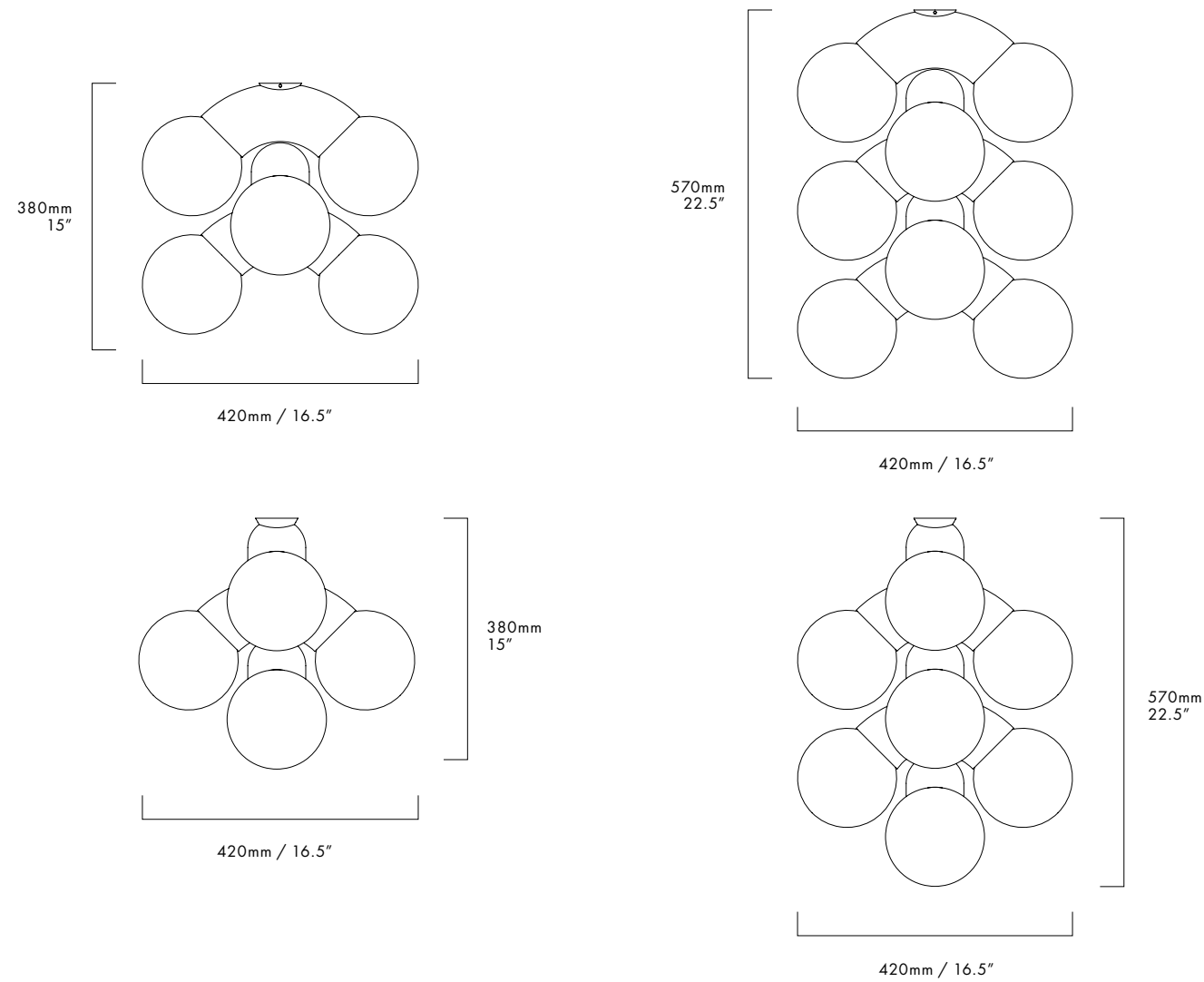
NEW!
2021



VINE 5 - CEILING
YELLOW

VINE 3 – CEILING

VINE 5 – CEILING



FIXTURE TYPE

Ceiling

MATERIALS

- Chromed Steel
- Opal Glass Globe

MANUFACTURED

Canada

DIMENSIONS

Model Specific

POWER TRIM OPTIONS

- Trimless (Mud-in or surface mount)
- Cover plate (Junction box, 4.5" x 4.5")

* SEE INSTALL INSTRUCTIONS

* NORTH AMERICA SHIPS WITH CANOPY AND TRIMLESS ROUGH-IN.

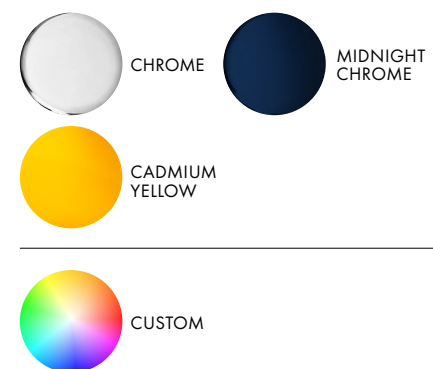
ELECTRICAL

- Input Voltage: 110-120V / 220-240V
- Replaceable LED lamp
- Maximum allowed lamping: 30W
- Provided lamp: 6 x/10x 4W G9 LED Lamp, 3000K
- Controls: Phase dimming

CERTIFICATIONS



FINISHES

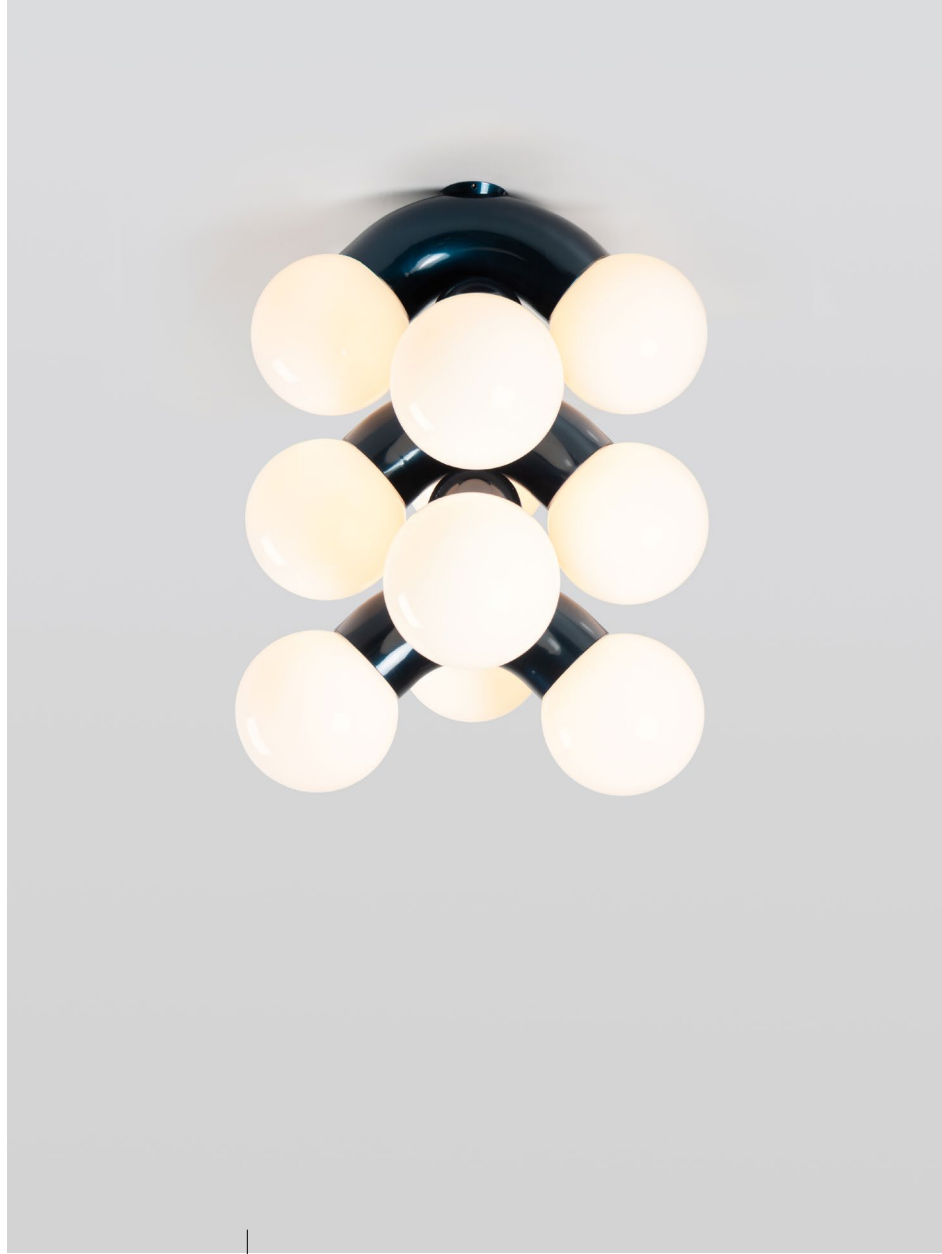
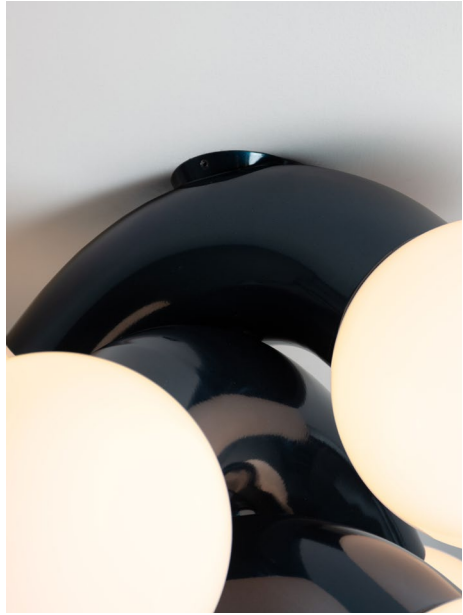


NEW!
2021



VINE 3 – CEILING
CHROME

NEW!
2021



VINE 5 - CEILING
MIDNIGHT CHROME



TECHNICAL INFORMATION

The following indicates standard technical specifications for each series. Please inquire for special requirements.

CANOPIES

BUTTON

Available in White, Black, Gold and Bronze.

6" Ø / 150 x 50mm / 6" x 2"

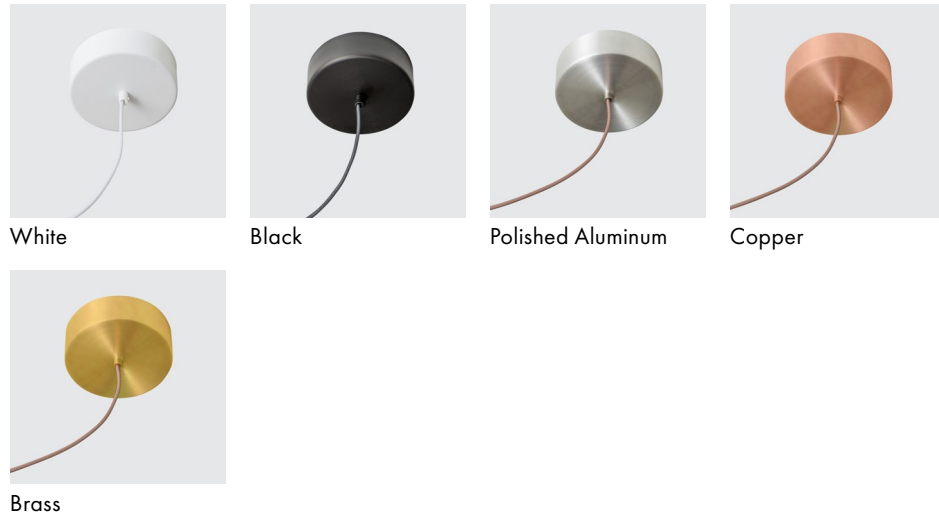


White Black Gold Bronze

PIPELINE

Available in White, Black, Brushed Aluminum, Copper and Brass.

6" Ø / 150 x 50mm / 6" x 2"



White Black Polished Aluminum Copper Brass

SLAB

Available in White.

6" Ø / 150 x 50mm / 6" x 2"

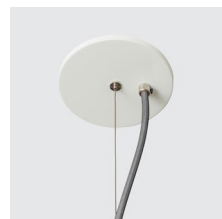


All Pendants SLAB P20 SLAB P20.3 SLAB P20.5

SPOTLIGHT VOLUMES, VINE

Available in White.

5" Ø

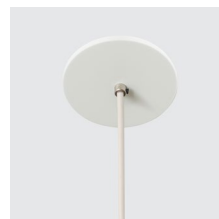


All Pendants

ORBIT

Available in White.

5" Ø

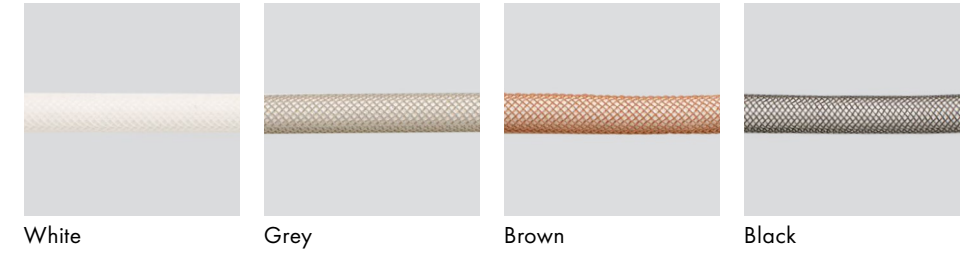


All Pendants

CORD COVERS

Available in White, Grey, Brown and Black.

Extra cord length available upon request.

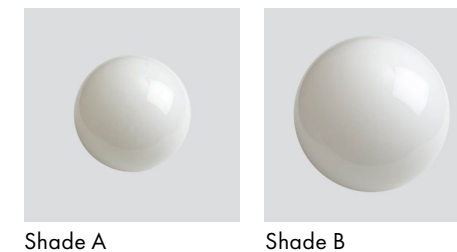


White Grey Brown Black

OPTIONAL GLASS GLOBE, SPOTLIGHT VOLUMES

Available in opal white glass.

Shade A: 127mm / 5"
Shade B: 177.8mm / 7"



Shade A Shade B

COMPANY INFORMATION

CONTACT
+1 604 563 6938

SALES/INQUIRIES
info@andlight.ca

CUSTOMER SERVICE
cs@andlight.ca

ACCOUNTS PAYABLE /RECEIVABLE
accounting@andlight.ca

MEDIA
media@andlight.ca



